

Department of Engineering
Tim Bryan, P.E., County Engineer

3137 South Liberty Street, Canton, MS 39046
Office (601) 790-2525 FAX (601) 859-3430

MEMORANDUM

January 11, 2023

To: Sheila Jones, Supervisor, District I
Trey Baxter, Supervisor, District II
Gerald Steen, Supervisor, District III
Karl Banks, Supervisor, District IV
Paul Griffin, Supervisor, District V

From: Tim Bryan, P.E., PTOE
County Engineer

Re: Telepak Networks, Inc./Cspire Utility Permit
County Road Name, Yandell Road

The Engineering Department recommends approval of the permit application for Telepack Networks, Inc./Cspire to install fiber optic facility for high speed internet by method of directional bore at a minimum depth of 48" unless otherwise noted.



PERMIT APPLICATION FOR THE CONSTRUCTION OR ADJUSTMENT OF A UTILITY WITHIN COUNTY ROAD RIGHT-OF-WAY

Utility Information: Utility Name: _____

Address: _____ City/State/Zip: _____

Contact Person: _____ Contact's Phone: _____

Project Information: County Road Name: _____

(If located within more than one road right-of-way, use Appendix 1 for additional descriptions)

Beginning Location: _____ Ending Location: _____

Length of Project: _____ Section: _____ Township: _____ Range: _____

Description of Work: _____

Check Box if Appendix 1 is to be included as a part of this Application

Whereas the above stated Utility makes application to the **Madison County Board of Supervisors** for a Construction Permit. Attached hereto are drawings and plans for the construction of the above facilities located within Madison County owned public rights-of-way. Once stamped by the Madison County Engineering Department, these plans shall not be changed or altered without written approval of the County Engineer, or his representative. A copy of the approved permit and plans shall be on-site at all times during construction.

The Applicant Utility shall comply with all policies, procedures and construction practices as outlined in *A Policy for The Accommodation of Utility Facilities within the Right-of-Way of all Public County Roads* (hereinafter referred to as the "Policy"), as adopted on November 1, 2005, by the **Madison County Board of Supervisors**, and which is hereby made a part of this Application Agreement.

If facilities are to be located within the Rights-of-Way of the County-Federal or State Aid System, Applicant Utility also agrees to comply with applicable provisions of *S.O.P. No. SA II-2-8, Accommodation of Utilities on Rights-of-Way*, issued by the State Aid Engineer and dated July 1, 2005.

The Applicant Utility understands and agrees that, except as herein granted, no right, title, claim, or easement to said road right-of-way is granted by the issuance of this permit. If this Utility is listed in the general provisions of the Policy, it will be adjusted to comply with same without cost to the County, unless the variance from the Policy has been approved by the granting of the Permit pursuant to this Application.

The Applicant Utility further understands that the Utility's engineering, plant, or other personnel will be responsible for the staking and construction supervision of the work set out above and as shown on the attached plans. If work impacts traffic in any way, the appropriate traffic control shall be installed per the *Manual of Uniform Traffic Control Devices*, Latest Edition.

The Applicant Utility understands that the County Engineer, or his representative, may issue a Stop Work Order at any time if it is deemed that site conditions are not suitable for construction or if any of the requirements of this permit are not being met.

Many County Roads have variable Rights-of-Way and/or no Right-of-Way at all and are maintained under a Prescriptive Easement. It is the sole responsibility of the Applicant Utility to verify the existence and limits of public rights-of-way. If none exists, it is the

responsibility of the Applicant Utility to acquire an easement for their Facilities from the applicable property owner(s). Madison County in no way verifies the limits of Right-of-Way as shown on the permit application.

The Applicant Utility shall be responsible for all future maintenance and repair of the facilities installed under this permit. The Applicant Utility shall make future adjustments to, or relocate, the facilities located within road or highway right-of-way when required for road or highway widening or other road or highway construction at no cost to Madison County. The Applicant Utility shall relocate said utilities within sixty (60) days of notification by County by registered mail, return receipt requested, unless otherwise designated by the County Engineer. Further, any maintenance, repair, or construction shall be done in such a manner as to occasion no unreasonable interference with the normal flow and safety to traffic and at the expense of the utility company. When reasonable care has been taken to locate said utility facilities within the right-of-way, the Applicant Utility understands that any damages caused by routine maintenance and construction by County forces shall be borne by the Applicant Utility.

The Applicant Utility further agrees to indemnify and hold Madison County harmless for any and all claims, accidents, damages, liabilities and expenses occasioned wholly, or in part, by any act or omission of applicant, its agents or employees. In case County shall, without fault on its own part, be made a party to any litigation commenced by or against applicant, then applicant shall protect and hold County harmless, and shall pay all costs, expenses and reasonable attorney's fees incurred or paid by County in connection with said litigation.

All underground facilities shall be installed at a depth equal to or greater than 48" below the lowest adjacent grade.

All pipes carrying liquid shall be encased under County maintained roads.

WITNESS the signature of the Applicant this the _____ day of _____, 20_____.

By:  _____
(Applicant Signature)

Title: _____

Note: Applicant must be an employee of the Utility named in this application. The Madison County Board of Supervisors will not recognize a Contractor, Subcontractor, Agent, or Consulting Engineer as the Applicant. Utility Company shall be fully responsible for all work performed under this application.

I, or my authorized representative, have reviewed this application and determined that the drawing, sketches, and plans submitted by the Applicant meet the requirements of A Policy for The Accommodation of Utility Facilities within the Right-of-Way of all Public County Roads.

APPROVED
By **By timothy.bryan at 2:03 pm, Feb 01, 2023**
Tim Bryan, P.E.
County Engineer

AGREED TO AND APPROVED BY:

Madison County Board President

Date: _____

ENTERED INTO THE MINUTES OF THE BOARD OF SUPERVISORS OF MADISON COUNTY, MISSISSIPPI ON THIS _____ DAY OF _____, 20_____.

Appendix 1

County Road Name: _____
Beginning Location: _____ Ending Location: _____
Length of Project: _____ Section: _____ Township: _____ Range: _____
Description of Work: _____

County Road Name: _____
Beginning Location: _____ Ending Location: _____
Length of Project: _____ Section: _____ Township: _____ Range: _____
Description of Work: _____

County Road Name: _____
Beginning Location: _____ Ending Location: _____
Length of Project: _____ Section: _____ Township: _____ Range: _____
Description of Work: _____

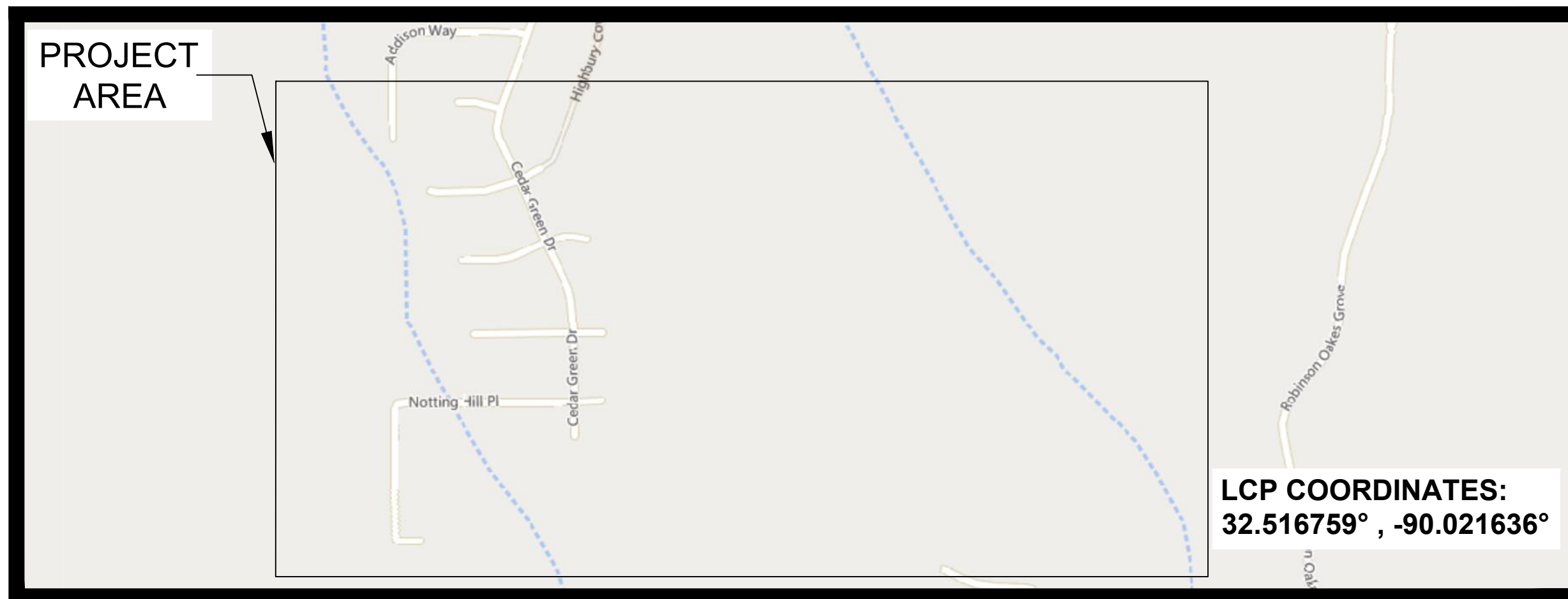
County Road Name: _____
Beginning Location: _____ Ending Location: _____
Length of Project: _____ Section: _____ Township: _____ Range: _____
Description of Work: _____

County Road Name: _____
Beginning Location: _____ Ending Location: _____
Length of Project: _____ Section: _____ Township: _____ Range: _____
Description of Work: _____



YANDELL FARMS PHASE 3

CITY OF CANTON
MADISON COUNTY, MISSISSIPPI
12/29/22



PERMITS REQUIRED

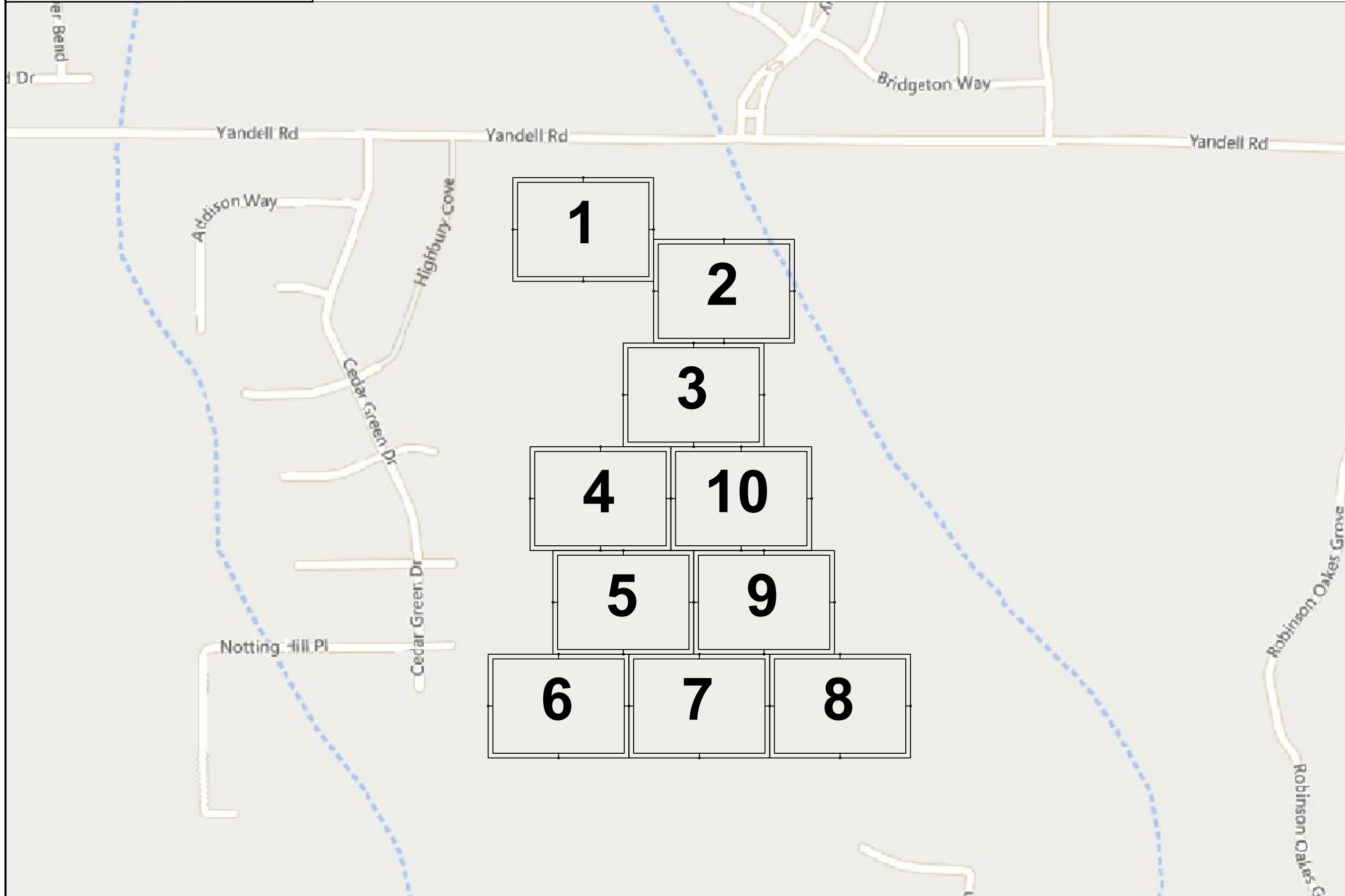
CITY :	N/A
COUNTY :	YES
MDOT :	N/A
FEDERAL :	N/A
RAILROAD :	N/A
PRIVATE R/W :	N/A
MISC :	N/A

PREPARED BY:





CANTON
MADISON COUNTY, MISSISSIPPI



JOB DESCRIPTION

PROJECT NAME YANDELL FARMS PHASE 3	
PROJECT CITY CANTON	
DATE	DESCRIPTION CONSTRUCTION
SHEET MK1	DRAWN BY DELTA FIBER
SCALE NTS	PAGE MAP KEY

MATERIALS LIST

ITEM	DESCRIPTION	QTY.
1	TRIDENT RTD 1X12	
2	TRIDENT RTD 1X12	
3	TRIDENT RTD 1X12	
4	TRIDENT RTD 1X12	
5	48 CT FOC	
6	48 CT FOC LOOP	
7	72 CT FOC	
8	72 CT FOC LOOP	
9	144 CT FOC	
10	144 CT FOC LOOP	
11	288 CT FOC	
12	288 CT FOC LOOP	
13	432 CT FOC	
14	432 CT FOC LOOP	
15	BDO288P LCP	
16	UH2	
17	UH3	
18	UH4	
19	UH5	
20	1-1.25" SDR11 HDPE	
21	2-1.25" SDR11 HDPE	
22	3-1.25" SDR11 HDPE	
23	4-1.25" SDR11 HDPE	
24	5-1.25" SDR11 HDPE	
25	6-1.25" SDR11 HDPE	
26	TYCO "B" SPLICE CASE	
27	TYCO "D" SPLICE CASE	
28	GROUND ROD	
29	SPLICES	
30	BM53FA	

REVISIONS

No.	Revision/Issue	Date

MAP NUMBER

--	--	--

PREPARED BY

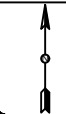


PREPARED FOR



DISCLAIMER

EXCEPT AS MAY BE OTHERWISE PROVIDED BY CONTRACT, THESE DRAWINGS AND SPECIFICATIONS SHALL REMAIN THE PROPERTY OF CSPIRE FIBER. BEING ISSUED IN STRICT CONFIDENCE AND SHALL NOT BE REPRODUCED, COPIED, OR USED FOR ANY PURPOSE WITHOUT SPECIFIC WRITTEN PERMISSION.



NOTIFY ALL UTILITIES 72 HOURS PRIOR TO CONSTRUCTION ACTIVITY.
ONE CALL SYSTEM @ 1-800-227-6477



CANTON
MADISON COUNTY, MISSISSIPPI

JOB DESCRIPTION

PROJECT NAME YANDELL FARMS PHASE 3	
PROJECT CITY CANTON, MS.	
DATE	DESCRIPTION CONSTRUCTION
SHEET TYPICALS	DRAWN BY DELTA FIBER
SCALE NTS	PAGE TYPICALS

MATERIALS LIST

ITEM	DESCRIPTION	QTY.
1	TRIDENT RTD 1X12	
2	TRIDENT RTD 1X12	
3	TRIDENT RTD 1X12	
4	TRIDENT RTD 1X12	
5	48 CT FOC	
6	48 CT FOC LOOP	
7	72 CT FOC	
8	72 CT FOC LOOP	
9	144 CT FOC	
10	144 CT FOC LOOP	
11	288 CT FOC	
12	288 CT FOC LOOP	
13	432 CT FOC	
14	432 CT FOC LOOP	
15	BDO288P LCP	
16	UH2	
17	UH3	
18	UH4	
19	UH5	
20	1-1.25" SDR11 HDPE	
21	2-1.25" SDR11 HDPE	
22	3-1.25" SDR11 HDPE	
23	4-1.25" SDR11 HDPE	
24	5-1.25" SDR11 HDPE	
25	6-1.25" SDR11 HDPE	
26	TYCO "B" SPLICE CASE	
27	TYCO "D" SPLICE CASE	
28	GROUND ROD	
29	SPLICES	
30	BM53FA	

REVISIONS

No.	Revision/Issue	Date

MAP NUMBER

PREPARED BY



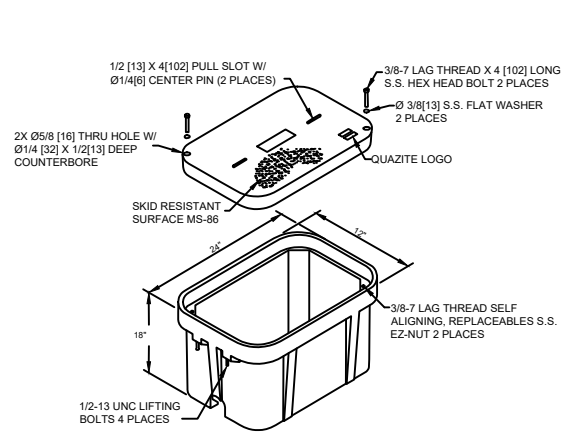
PREPARED FOR



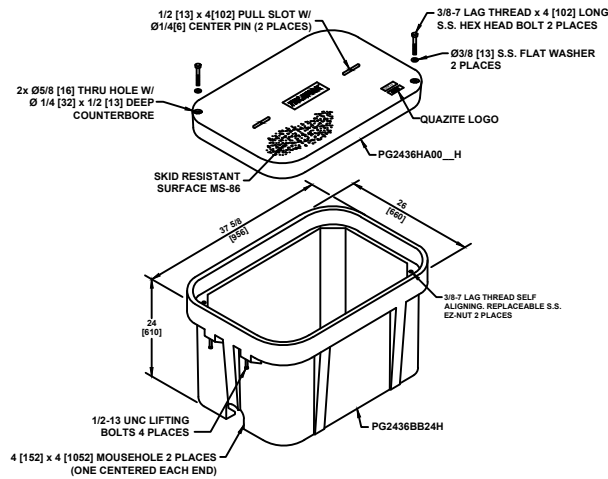
DISCLAIMER

EXCEPT AS MAY BE OTHERWISE PROVIDED BY CONTRACT, THESE DRAWINGS AND SPECIFICATIONS SHALL REMAIN THE PROPERTY OF CSPiRE FIBER. BEING ISSUED IN STRICT CONFIDENCE AND SHALL NOT BE REPRODUCED, COPIED, OR USED FOR ANY PURPOSE WITHOUT SPECIFIC WRITTEN PERMISSION.

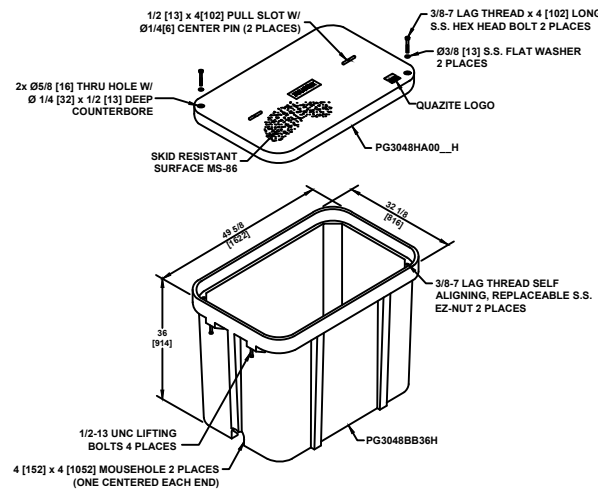
UH-2



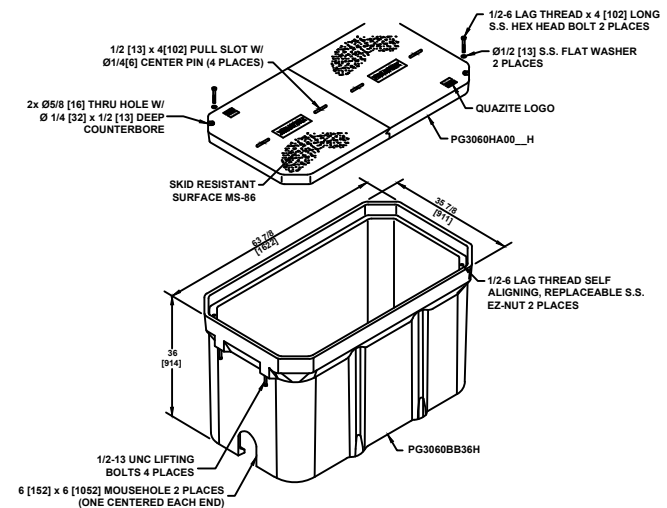
UH-3



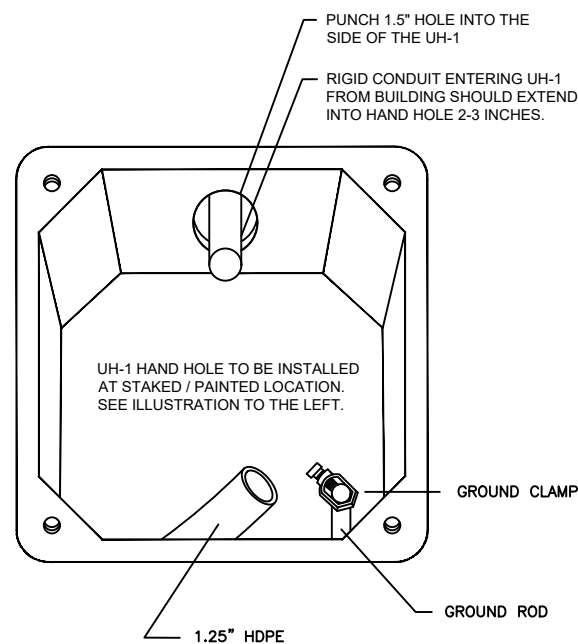
UH-4



UH-5

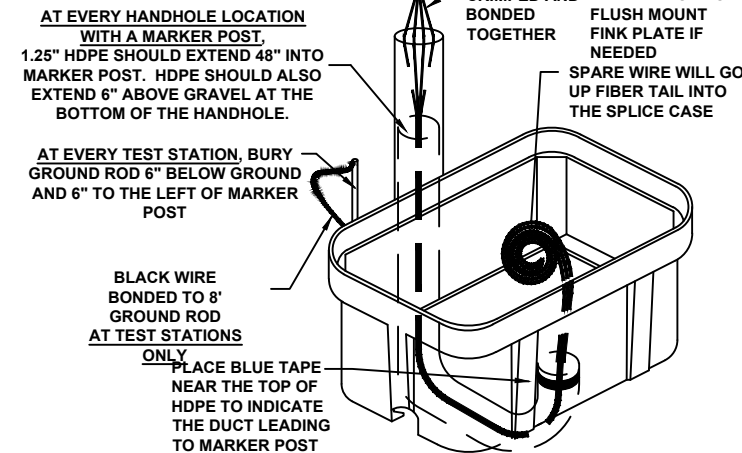


TYPICAL UH-1 / UH-2 HAND HOLE INSTALLATION PROCEDURES AT BUILDING ENTRIES



UH-1 / UH-2 INSTALLATION LOCATION WILL BE MARKED BY A STAKE AND/OR PAINT. CSPiRE/OSP WILL INSTALL CONDUIT 8" UNDERGROUND TO DESIRABLE UH-1 LOCATION.

TYPICAL HAND HOLE INSTALLATION



AT EVERY HANDHOLE LOCATION WITH A MARKER POST, 1.25" HDPE SHOULD EXTEND 48" INTO MARKER POST. HDPE SHOULD ALSO EXTEND 6" ABOVE GRAVEL AT THE BOTTOM OF THE HANDHOLE.

AT EVERY TEST STATION, BURY GROUND ROD 6" BELOW GROUND AND 6" TO THE LEFT OF MARKER POST

CRIMPED AND BONDED TOGETHER MARKER POLE OR FLUSH MOUNT FINK PLATE IF NEEDED

SPARE WIRE WILL GO UP FIBER TAIL INTO THE SPLICE CASE

BLACK WIRE BONDED TO 8" GROUND ROD AT TEST STATIONS ONLY

PLACE BLUE TAPE NEAR THE TOP OF HDPE TO INDICATE THE DUCT LEADING TO MARKER POST

NOTES:

- THIS ASSEMBLY IS RATED FOR A STATIC DESIGN LOAD OF 15,000 LBS. [66,720 N] OVER A 10 [254] X 10 [254] AREA AND MUST PASS A MIN. STATIC TEST LOAD OF 22,500 LBS. [100,085 N].
- ALL ENCLOSURES, BOXES AND COVERS, ARE REQUIRED TO CONFORM TO ALL TEST PROVISIONS OF ANSI/SCTE 77 2007 "SPECIFICATION FOR UNDERGROUND ENCLOSURE INTEGRITY" AS MANUFACTURED BY QUAZITE OR EQUIVALENT WITH TELEPAK NETWORK'S ENGINEER'S SIGNED APPROVAL. THE COVERS MUST BE RATED FOR TIER 15 APPLICATIONS AND BOXES RATED FOR TIER 22 APPLICATIONS AND IN NO ASSEMBLY CAN THE COVER DESIGN LOAD EXCEED THE DESIGN LOAD OF THE BOX. ALL COMPONENTS IN AN ASSEMBLY (BOX & COVER) ARE MANUFACTURED USING MATCHED SURFACE TOOLING. ALL COVERS ARE REQUIRED TO HAVE A MINIMUM COEFFICIENT OF FRICTION OF 0.50 IN ACCORDANCE WITH ASTM C 1028 AND HAVE TIER 15 AND "TELEPAK NETWORKS 800-342-3716" EMBOSSED ON THE TOP SURFACE. ALL COVER BOLTS TO BE SELF-CLEANING AUGER BOLT ASSEMBLIES.

PIGTAILS ARE TO BE INSTALLED AT TEST STATION (T.S.) ONLY.

HANDHOLES ARE TO BE INSTALLED A MINIMUM OF THREE FEET FROM ANY UTILITY OR POWER POLE.

BOXES (Nestable)

DESCRIPTION	PART NO.	WEIGHT	DESIGN/TEST LOAD#
UH-5 30x60x36	PG3060Z501	933# 423KG.	15'000 LBS
UH-4 30x48x36	PG3048Z579	563# 255KG.	15'000 LBS
UH-3 24x36x24	PG2436Z905	284# 129KG.	15'000 LBS

DIMENSIONS ARE IN INCHES OR MILLIMETERS IN BRACKETS UNLESS OTHERWISE NOTED.

ALL CABLE WILL BE PLACED BY METHOD OF DIRECTIONAL BORE MIN 2' OFF ROW OR EASEMENT @ 42" DOC UNLESS OTHERWISE NOTED.

NOTIFY ALL UTILITIES 72 HOURS PRIOR TO CONSTRUCTION ACTIVITY. ONE CALL SYSTEM @ 1-800-227-6477



SYMBOLS KEY

DIRECTIONAL BORE 	RAILROAD TRACKS 	PROPERTY LINE
AERIAL CABLE 	AUXILLARY TRACKS 	EDGE OF PAVEMENT
PLOW OR BURIED CABLE 	CENTERLINE 	BACK OF CURB
DIRECTIONAL BORE 5" HDPE 	WOOD LINE 	WHITE LINE
PVC OR SPLIT PVC CONDUIT 	DITCH LINE 	RIGHT-OF-WAY LINE
ASTMA 139 GRADE B STEEL 	TOP OF SLOPE 	TAX DISTRICT BOUNDARY
JACK AND BORE 	TOE OF SLOPE 	PERMIT TRACKING FORM IDENTIFIER
CORE BORE 	AERIAL UTILITY (ELECTRIC) 	
EXISTING TELEPAK CABLE 	UNDERGROUND UTILITY (TELEPHONE) (PARTIAL CAPSULE INDICATES COVER DEPTH IN INCHES) 	
PROPOSED HANDHOLE 	CAUTION NOTES 	
HANDHOLE (CABLE IN HDPE) 	WATER VALVE 	
HH (CABLE IN PVC CONDUIT) 	WATER METER 	
HANDHOLE (CABLE IN GSP CONDUIT) 	GAS VALVE 	
MANHOLE 	FIRE HYDRANT 	
MANHOLE (CABLE IN HDPE) 	STORM DRAIN 	
MANHOLE (CABLE IN PVC CONDUIT) 	SEWER MANHOLE 	
MANHOLE (CABLE IN BSP/GSP CONDUIT) 	CULVERT 	
H-FRAME 	BOX CULVERT 	
BORE PIT 	CITY, COUNTY OR STATE BOUNDARY LINE 	
LIGHTNING ARRESTOR 	R.R. CROSSING SIGNAL 	
AC/DC FILTER PROTECTION 	R.R. SIGNAL ARM 	
ALUMINUM HUB STYLE MARKER 	U/G TRANSFORMER 	
STEEL MARKER 	STREET/SIGNAL LIGHT 	
FLAT COMPOSOLITE MARKER 	PARKING METER 	
TUBULAR MARKER 	STEEL/WOOD POST 	
RIGHT-OF-WAY MARKER 	SIGN 	
RIGHT-OF-WAY PIN 	FENCE LINE 	
MILE POST MARKER NOTE: DASHED = (NOT FOUND IN FIELD) 	TELEPHONE/CATV PED 	
	TREE 	
	BUSH 	

JOB DESCRIPTION

PROJECT NAME YANDELL FARMS PHASE 3	
PROJECT CITY CANTON, MS.	
DATE	DESCRIPTION CONSTRUCTION
SHEET	DRAWN BY DELTA FIBER
LEGEND	PAGE
SCALE NTS	LEGEND

MATERIALS LIST

ITEM	DESCRIPTION	QTY.
1	TRIDENT RTD 1X12	
2	TRIDENT RTD 1X12	
3	TRIDENT RTD 1X12	
4	TRIDENT RTD 1X12	
5	48 CT FOC	
6	48 CT FOC LOOP	
7	72 CT FOC	
8	72 CT FOC LOOP	
9	144 CT FOC	
10	144 CT FOC LOOP	
11	288 CT FOC	
12	288 CT FOC LOOP	
13	432 CT FOC	
14	432 CT FOC LOOP	
15	BDO288P LCP	
16	UH2	
17	UH3	
18	UH4	
19	UH5	
20	1-1.25" SDR11 HDPE	
21	2-1.25" SDR11 HDPE	
22	3-1.25" SDR11 HDPE	
23	4-1.25" SDR11 HDPE	
24	5-1.25" SDR11 HDPE	
25	6-1.25" SDR11 HDPE	
26	TYCO "B" SPLICE CASE	
27	TYCO "D" SPLICE CASE	
28	GROUND ROD	
29	SPLICES	
30	BM53FA	

REVISIONS

No.	Revision/Issue	Date

MAP NUMBER		

PREPARED BY



PREPARED FOR



DISCLAIMER

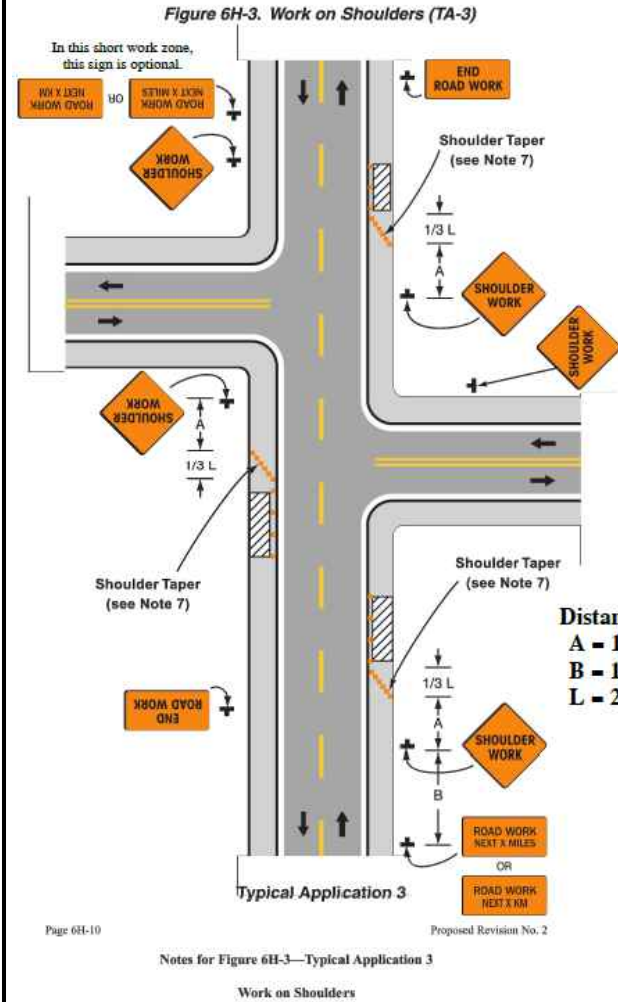
EXCEPT AS MAY BE OTHERWISE PROVIDED BY CONTRACT, THESE DRAWINGS AND SPECIFICATIONS SHALL REMAIN THE PROPERTY OF CSPIRE FIBER. BEING ISSUED IN STRICT CONFIDENCE AND SHALL NOT BE REPRODUCED, COPIED, OR USED FOR ANY PURPOSE WITHOUT SPECIFIC WRITTEN PERMISSION.

DELTA FIBER TYPICAL LINETYPES

1-1.25 HDPE	(1)1.25 HDPE	(1)1.25 HDPE	(1)1.25 HDPE	(1)1.25 HDPE	(1)1.25 HDPE
2-1.25 HDPE	(2)1.25 HDPE	(2)1.25 HDPE	(2)1.25 HDPE	(2)1.25 HDPE	(2)1.25 HDPE
3-1.25 HDPE	(3)1.25 HDPE	(3)1.25 HDPE	(3)1.25 HDPE	(3)1.25 HDPE	(3)1.25 HDPE
4-1.25 HDPE	(4)1.25 HDPE	(4)1.25 HDPE	(4)1.25 HDPE	(4)1.25 HDPE	(4)1.25 HDPE
5-1.25 HDPE	(5)1.25 HDPE	(5)1.25 HDPE	(5)1.25 HDPE	(5)1.25 HDPE	(5)1.25 HDPE
6-1.25 HDPE	(6)1.25 HDPE	(6)1.25 HDPE	(6)1.25 HDPE	(6)1.25 HDPE	(6)1.25 HDPE
12CT FOC	12CT FOC	12CT FOC	12CT FOC	12CT FOC	12CT FOC
24CT FOC	24CT FOC	24CT FOC	24CT FOC	24CT FOC	24CT FOC
48CT FOC	48CT FOC	48CT FOC	48CT FOC	48CT FOC	48CT FOC
72CT FOC	72CT FOC	72CT FOC	72CT FOC	72CT FOC	72CT FOC
96CT FOC	96CT FOC	96CT FOC	96CT FOC	96CT FOC	96CT FOC
144CT FOC	144CT FOC	144CT FOC	144CT FOC	144CT FOC	144CT FOC
288CT FOC	288CT FOC	288CT FOC	288CT FOC	288CT FOC	288CT FOC
(2)288CT FOC	(2)288CT FOC	(2)288CT FOC	(2)288CT FOC	(2)288CT FOC	(2)288CT FOC
1x4 TRIDENT	1x4	1x4	1x4	1x4	1x4
1x8 TRIDENT	1x8	1x8	1x8	1x8	1x8
1x12 TRIDENT	1x12	1x12	1x12	1x12	1x12
2x12 TRIDENT	(2)1x12	(2)1x12	(2)1x12	(2)1x12	(2)1x12
RIGHT OF WAY	R/W				
DRIVEWAY					
EDGE OF PAVEMENT					
CENTERLINE OF ROAD					
DROPS TO HOUSES					
AERIAL IMAGES					
PROPERTY LINE	PL	PL	PL	PL	PL
UTILITY EASEMENT	UTIL ESMT				
SIDEWALK					

ALL CABLE WILL BE PLACED BY METHOD OF DIRECTIONAL BORE MIN 2' OFF ROW OR EASEMENT @ 42" DOC UNLESS OTHERWISE NOTED.

NOTIFY ALL UTILITIES 72 HOURS PRIOR TO CONSTRUCTION ACTIVITY.
ONE CALL SYSTEM @ 1-800-227-6477



WORK ON SHOULDERS

GUIDANCE:

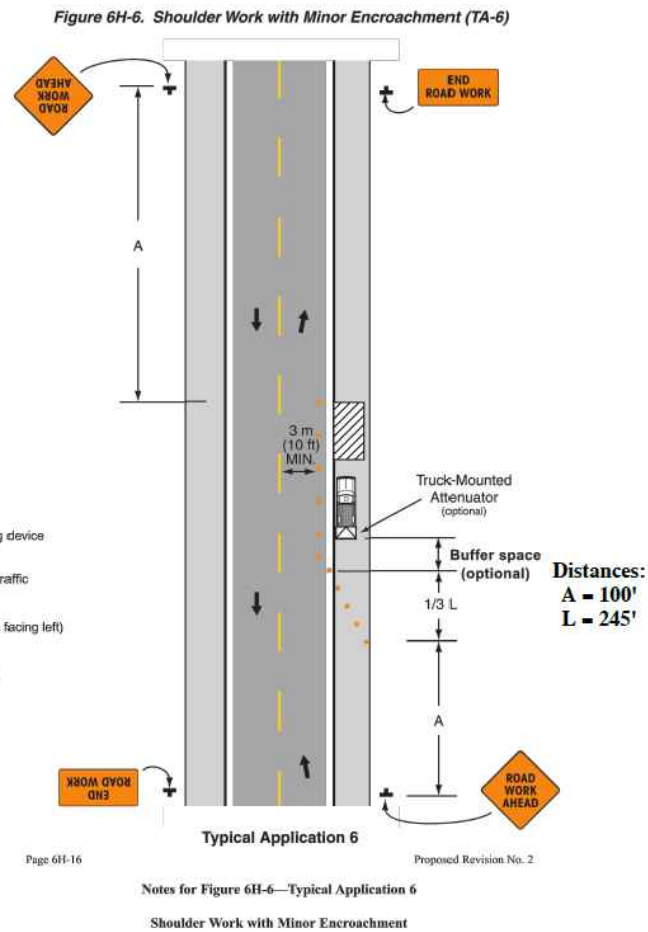
1. A SHOULDER WORK sign should be placed on the left side of the roadway for a divided or one-way street only if the left shoulder is affected.

OPTION:

2. The workers symbol signs may be used instead of SHOULDER WORK signs.
3. The SHOULDER WORK AHEAD sign on an intersecting roadway may be omitted where drivers emerging from that roadway will encounter another advance warning sign prior to this activity area.
4. For short-duration operations of 60 minutes or less, all signs and channelizing devices may be eliminated if a vehicle with activated rotating lights or strobe lights is used.
5. Vehicle hazard warning signals may be used to supplement rotating lights or strobe lights.

STANDARD:

6. Vehicle hazard warning signals shall not be used instead of the vehicle's rotating lights or strobe lights.
7. When paved shoulders having a width of 2.4 m (8ft) or more are closed, at least one advance warning sign shall be used. In addition, channelizing devices shall be used to close the shoulder in advance to delineate the beginning of the work space and direct vehicular traffic to remain within the traveled way.



SHOULDER WORK WITH MINOR ENCROACHMENT

GUIDANCE:

1. All lanes should be a minimum of 3 m (10ft) in width as measured to the near face of the channelizing devices.
 2. The treatment shown should be used on a minor road having low speeds. For higher-speed traffic conditions, a lane closure should be used.
- OPTION:**
3. For short-term use on low-volume, low-speed roadways with vehicular traffic that does not include longer and wider heavy commercial vehicles, a minimum lane width of 2.7 m (9ft) may be used.
 4. Where the opposite shoulder is suitable for carrying vehicular traffic and of adequate width, lanes may be shifted by use of closely spaced channelizing devices, provided that the minimum lane width of 3 m (10ft) is maintained.
 5. Additional advance warning may be appropriate, such as ROAD NARROWS sign.

CONSTRUCTION SIGNS
FLUORESCENT ORANGE SHEETING SHALL BE USED ON ALL CONSTRUCTION AND TRAFFIC CONTROL SIGNS



NOTE:
W20-1 SIGNS ARE REQUIRED WHEN SHOULDER WORK IS PERFORMED WITH MINOR ENCROACHMENT TO TRAVEL LANE OR FLAGGING OPERATIONS. SEE TCP-2, FIGURE 6H-6.

DISTANCE BETWEEN SIGNS			
ROAD TYPE	A	B	C
URBAN (35 MPH OR LESS)	100 FT.	100 FT.	100 FT.
URBAN (40 - 70 MPH)	350 FT.	350 FT.	350 FT.
RURAL	500 FT.	500 FT.	500 FT.
EXPRESSWAY / FREEWAY	1000 FT.	1500 FT.	2640 FT.

NOTES:

1. ALL TRAFFIC CONTROL DEVICES ON THIS PROJECT SHALL COMPLY WITH PART VI OF THE MUTCD (LATEST EDITION).
2. SIGNS ARE ONLY REQUIRED WHILE CONTRACTOR IS WORKING. THEY SHALL BE INSTALLED PRIOR TO WORK COMMENCING EACH DAY AND REMOVED WHEN WORK IS COMPLETED AT THE END OF THE DAY.
3. SIGNS MAY BE MOUNTED ON TRIPODS. THE LOCATION AND SPACING OF SIGNS, AS SHOWN ON THESE TRAFFIC CONTROL PLANS, ARE APPROXIMATE AND MAY BE ADJUSTED AS NECESSARY TO FIT FIELD CONDITIONS.
4. CHANNELIZING DEVICES ARE NOT SHOWN ON THIS PLAN, BUT ARE REQUIRED AROUND ACTIVE WORK ZONES (SEE TCP-2).

JOB DESCRIPTION

PROJECT NAME YANDELL FARMS PHASE 3	
PROJECT CITY CANTON	
DATE	DESCRIPTION TRAFFIC CONTROL
SHEET TC1	DRAWN BY DELTA FIBER
SCALE	PAGE TC1

MATERIALS LIST

ITEM	DESCRIPTION	QTY.
1	TRIDENT RTD 1X12	
2	TRIDENT RTD 1X12	
3	TRIDENT RTD 1X12	
4	TRIDENT RTD 1X12	
5	48 CT FOC	
6	48 CT FOC LOOP	
7	72 CT FOC	
8	72 CT FOC LOOP	
9	144 CT FOC	
10	144 CT FOC LOOP	
11	288 CT FOC	
12	288 CT FOC LOOP	
13	432 CT FOC	
14	432 CT FOC LOOP	
15	BDO288P LCP	
16	UH2	
17	UH3	
18	UH4	
19	UH5	
20	1-1.25" SDR11 HDPE	
21	2-1.25" SDR11 HDPE	
22	3-1.25" SDR11 HDPE	
23	4-1.25" SDR11 HDPE	
24	5-1.25" SDR11 HDPE	
25	6-1.25" SDR11 HDPE	
26	TYCO "B" SPLICE CASE	
27	TYCO "D" SPLICE CASE	
28	GROUND ROD	
29	SPLICES	
30	BM53FA	

REVISIONS

No.	Revision/Issue	Date

MAP NUMBER

--	--	--

PREPARED BY



PREPARED FOR



DISCLAIMER

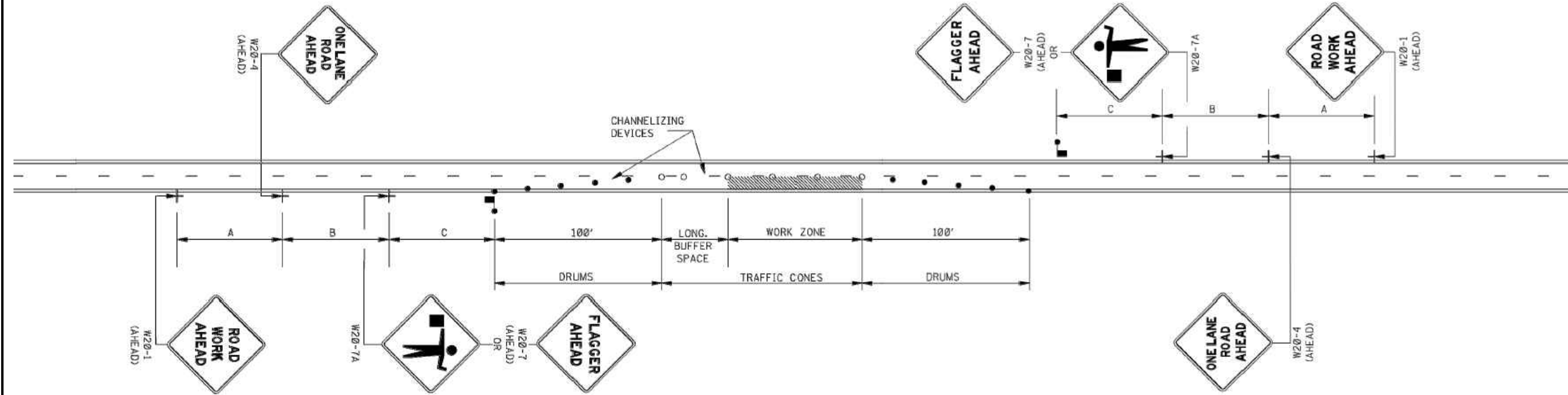
EXCEPT AS MAY BE OTHERWISE PROVIDED BY CONTRACT, THESE DRAWINGS AND SPECIFICATIONS SHALL REMAIN THE PROPERTY OF CSPIRE FIBER. BEING ISSUED IN STRICT CONFIDENCE AND SHALL NOT BE REPRODUCED, COPIED, OR USED FOR ANY PURPOSE WITHOUT SPECIFIC WRITTEN PERMISSION.

JOB DESCRIPTION

PROJECT NAME YANDELL FARMS PHASE 3	
PROJECT CITY CANTON	
DATE	DESCRIPTION TRAFFIC CONTROL
SHEET TC2	DRAWN BY DELTA FIBER
SCALE	PAGE TC2

MATERIALS LIST

ITEM	DESCRIPTION	QTY.
1	TRIDENT RTD 1X12	
2	TRIDENT RTD 1X12	
3	TRIDENT RTD 1X12	
4	TRIDENT RTD 1X12	
5	48 CT FOC	
6	48 CT FOC LOOP	
7	72 CT FOC	
8	72 CT FOC LOOP	
9	144 CT FOC	
10	144 CT FOC LOOP	
11	288 CT FOC	
12	288 CT FOC LOOP	
13	432 CT FOC	
14	432 CT FOC LOOP	
15	BDO288P LCP	
16	UH2	
17	UH3	
18	UH4	
19	UH5	
20	1-1.25" SDR11 HDPE	
21	2-1.25" SDR11 HDPE	
22	3-1.25" SDR11 HDPE	
23	4-1.25" SDR11 HDPE	
24	5-1.25" SDR11 HDPE	
25	6-1.25" SDR11 HDPE	
26	TYCO "B" SPLICE CASE	
27	TYCO "D" SPLICE CASE	
28	GROUND ROD	
29	SPLICES	
30	BM53FA	



GENERAL NOTES:

1. THE LOCATION OF CHANNELIZING DEVICES AND THE WORK AREA LAYOUT SHALL BE BASED ON THE CRITERIA IN THE FOLLOWING TABLE. FLAGGER STATIONS SHALL BE LOCATED SUCH THAT APPROACHING VEHICLES WILL HAVE SUFFICIENT DISTANCE TO STOP. VALUES IN STOPPING SIGHT DISTANCE COLUMN MAY BE USED AS A MINIMUM FOR THIS DISTANCE.

POSTED SPEED AND/OR DESIGN SPEED	MAXIMUM CHANNELIZING DEVICE SPACING (ft)		LONGITUDINAL BUFFER SPACE (ft)	STOPPING SIGHT DISTANCE
	TAPER	ALONG LANE LINE & WORK ZONE		
mph				
25	20	50	55	155
30	20	60	85	200
35	20	70	120	250
40	20	80	170	305
45	20	90	220	360
50	20	100	280	425
55	20	110	335	495
60	20	120	415	570
65	20	130	485	645

NOTE: BUFFER SPACE MAY BE ADJUSTED AS NEEDED ACCORDING TO ROADWAY GEOMETRY TO MEET SIGHT DISTANCE REQUIREMENTS, AS DIRECTED BY THE ENGINEER.

2. ALL CHANNELIZING DEVICES SHALL BE A MINIMUM OF 28" IN HEIGHT.
3. DIAMOND SHAPED TRAFFIC CONTROL SIGNS SHALL BE A MINIMUM OF 36" x 36" AND BLACK COPY ON FLUORESCENT ORANGE SHEETING.
4. WHEN WORK ZONE IS NO LONGER NEEDED, ALL SIGNS SHALL BE COVERED OR REMOVED AND ALL CHANNELIZING DEVICES SHALL BE MOVED TO THE SHOULDER EDGE.
5. ADDITIONAL FLAGGERS MAY BE NEEDED AS DIRECTED BY THE ENGINEER.
6. WHEN WORK IS REQUIRED AT NIGHT, FLAGGER STATIONS SHALL BE ILLUMINATED.
7. CHANNELIZING DEVICE TYPES FOR:
A. APPROACH AND EXIT TAPERS - RETROREFLECTIVE PLASTIC DRUMS
B. ALONG LANE LINE AND WORK ZONE - TRAFFIC CONES (28" HEIGHT)
8. ALL TRAFFIC CONTROL ITEMS SHOWN ON THIS SHEET WILL NOT BE MEASURED FOR SEPARATE PAYMENT. THIS WORK SHALL BE INCLUDED IN THE PRICE BID FOR MAINTENANCE OF TRAFFIC.

REVISIONS

No.	Revision/Issue	Date

MAP NUMBER

PREPARED BY:



PREPARED FOR

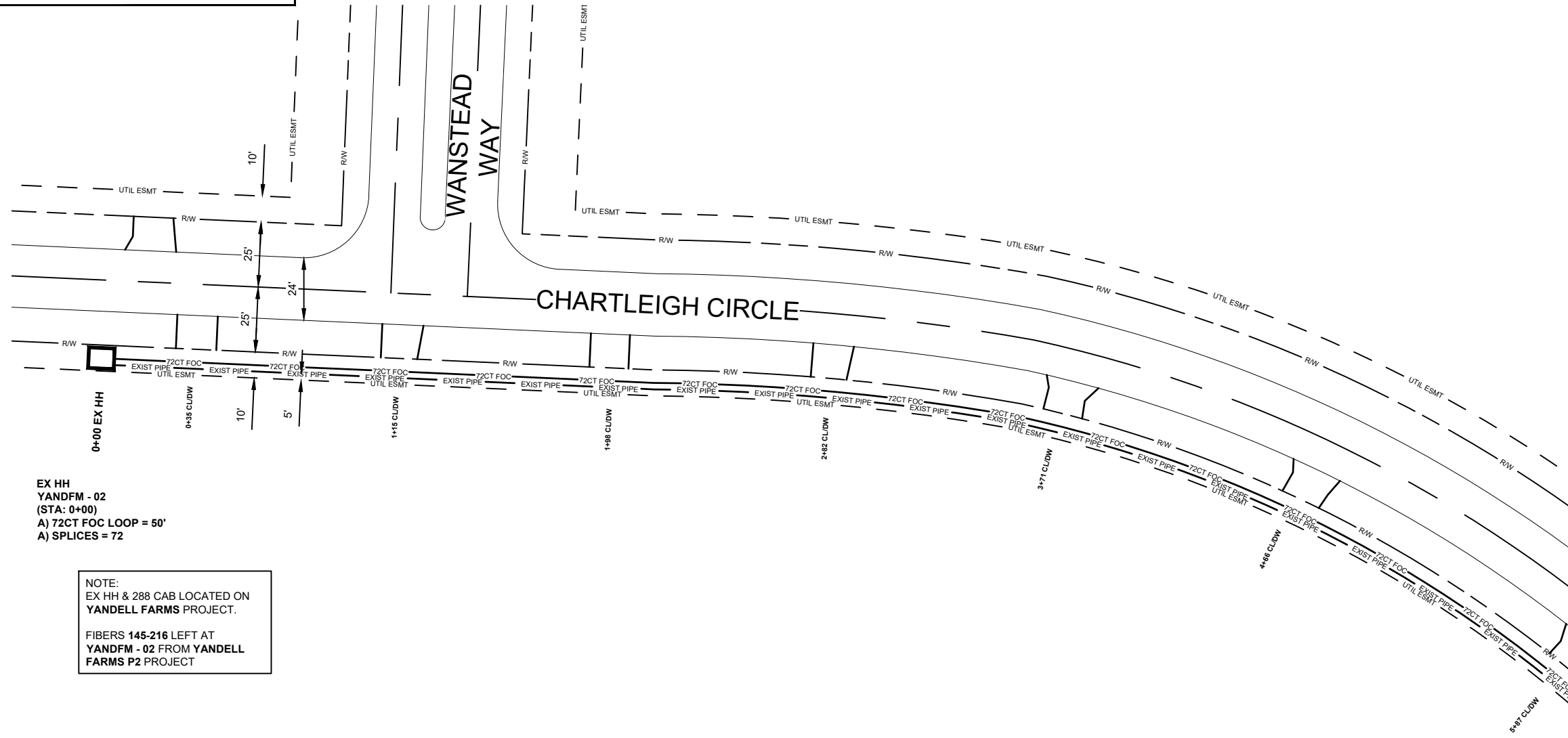


DISCLAIMER

EXCEPT AS MAY BE OTHERWISE PROVIDED BY CONTRACT, THESE DRAWINGS AND SPECIFICATIONS SHALL REMAIN THE PROPERTY OF CSPIRE FIBER. BEING ISSUED IN STRICT CONFIDENCE AND SHALL NOT BE REPRODUCED, COPIED, OR USED FOR ANY PURPOSE WITHOUT SPECIFIC WRITTEN PERMISSION.



CANTON
MADISON COUNTY, MISSISSIPPI



EX HH
YANDFM - 02
(STA: 0+00)
A) 72CT FOC LOOP = 50'
A) SPLICES = 72

NOTE:
EX HH & 288 CAB LOCATED ON
YANDELL FARMS PROJECT.

FIBERS 145-216 LEFT AT
YANDFM - 02 FROM YANDELL
FARMS P2 PROJECT

SEE SHEET 2

JOB DESCRIPTION

PROJECT NAME YANDELL FARMS PHASE 3	
PROJECT CITY CANTON	
DATE	DESCRIPTION CONSTRUCTION
SHEET 001	DRAWN BY DELTA FIBER
SCALE 1"=50'	PAGE 1

MATERIALS LIST

ITEM	DESCRIPTION	QTY.
1	TRIDENT RTD 1X12	
2	TRIDENT RTD 1X12	
3	TRIDENT RTD 1X12	
4	TRIDENT RTD 1X12	
5	24 CT FOC	
6	24 CT FOC LOOP	
7	48 CT FOC	
8	48 CT FOC LOOP	
9	96 CT FOC	
10	72 CT FOC LOOP	50
11	144 CT FOC	
12	144 CT FOC LOOP	
13	288 CT FOC	
14	288 CT FOC LOOP	
15	BDO288P LCP	
16	UH2	
17	UH3	
18	UH4	
19	UH5	
20	1-1.25" SDR11 HDPE	
21	2-1.25" SDR11 HDPE	
22	3-1.25" SDR11 HDPE	
23	4-1.25" SDR11 HDPE	
24	5-1.25" SDR11 HDPE	
25	6-1.25" SDR11 HDPE	
26	TYCO "B" SPLICE CASE	
27	TYCO "D" SPLICE CASE	
28	GROUND ROD	
29	SPLICES	72
30	BM53FA	

REVISIONS

No.	Revision/Issue	Date

MAP NUMBER

PREPARED BY



PREPARED FOR



DISCLAIMER

EXCEPT AS MAY BE OTHERWISE PROVIDED BY CONTRACT, THESE DRAWINGS AND SPECIFICATIONS SHALL REMAIN THE PROPERTY OF CSPIRE FIBER. NO REISSUE IN STRICT CONFIDENCE AND SHALL NOT BE REPRODUCED, COPIED, OR USED FOR ANY PURPOSE WITHOUT SPECIFIC WRITTEN PERMISSION.

ALL CABLE WILL BE PLACED BY METHOD OF DIRECTIONAL BORE MIN 2' OFF ROW OR EASEMENT @ 42" DOC UNLESS OTHERWISE NOTED.

NOTIFY ALL UTILITIES 72 HOURS PRIOR TO CONSTRUCTION ACTIVITY.
ONE CALL SYSTEM @ 1-800-227-6477

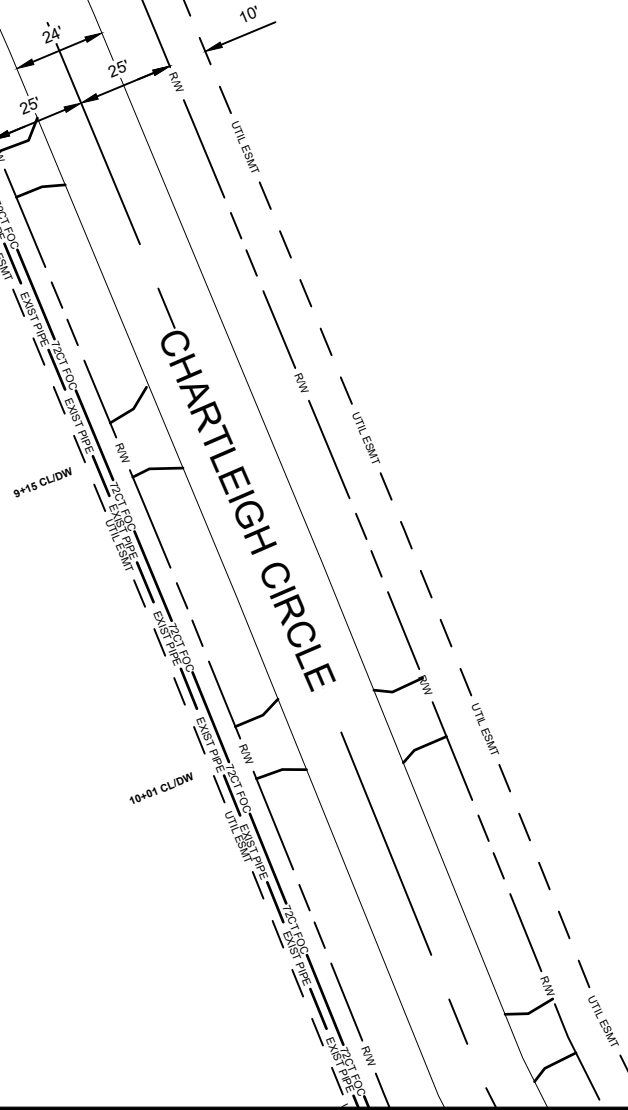


CANTON
MADISON COUNTY, MISSISSIPPI

SEE SHEET 1

EX HH
YANDFM - 05
(STA: 6+98)
A) EX-1.25" SDR-11 HDPE = 698'
A) 72CT FOC = 698'
A) 72CT FOC LOOP = 100'

NOTE:
EX HH & 288 CAB LOCATED ON
YANDELL FARMS PROJECT.
PULLING 145-216 SPARES FROM
YANDELL FARMS P2 PROJECT.



SEE SHEET 3

JOB DESCRIPTION

PROJECT NAME YANDELL FARMS PHASE 3	
PROJECT CITY CANTON	
DATE	DESCRIPTION CONSTRUCTION
SHEET 002	DRAWN BY DELTA FIBER
SCALE 1"=50'	PAGE 2

MATERIALS LIST

ITEM	DESCRIPTION	QTY.
1	TRIDENT RTD 1X12	
2	TRIDENT RTD 1X12	
3	TRIDENT RTD 1X12	
4	TRIDENT RTD 1X12	
5	24 CT FOC	
6	24 CT FOC LOOP	
7	48 CT FOC	
8	48 CT FOC LOOP	
9	72 CT FOC	698
10	72 CT FOC LOOP	100
11	144 CT FOC	
12	144 CT FOC LOOP	
13	288 CT FOC	
14	288 CT FOC LOOP	
15	BDO288P LCP	
16	UH2	
17	UH3	
18	UH4	
19	UH5	
20	1-1.25" SDR11 HDPE	
21	2-1.25" SDR11 HDPE	
22	3-1.25" SDR11 HDPE	
23	4-1.25" SDR11 HDPE	
24	5-1.25" SDR11 HDPE	
25	EX-1.25" SDR11 HDPE	698
26	TYCO "B" SPLICE CASE	
27	TYCO "D" SPLICE CASE	
28	GROUND ROD	
29	SPLICES	
30	BM53FA	

REVISIONS

No.	Revision/Issue	Date

MAP NUMBER

1		
2		
3		

PREPARED BY



PREPARED FOR



DISCLAIMER

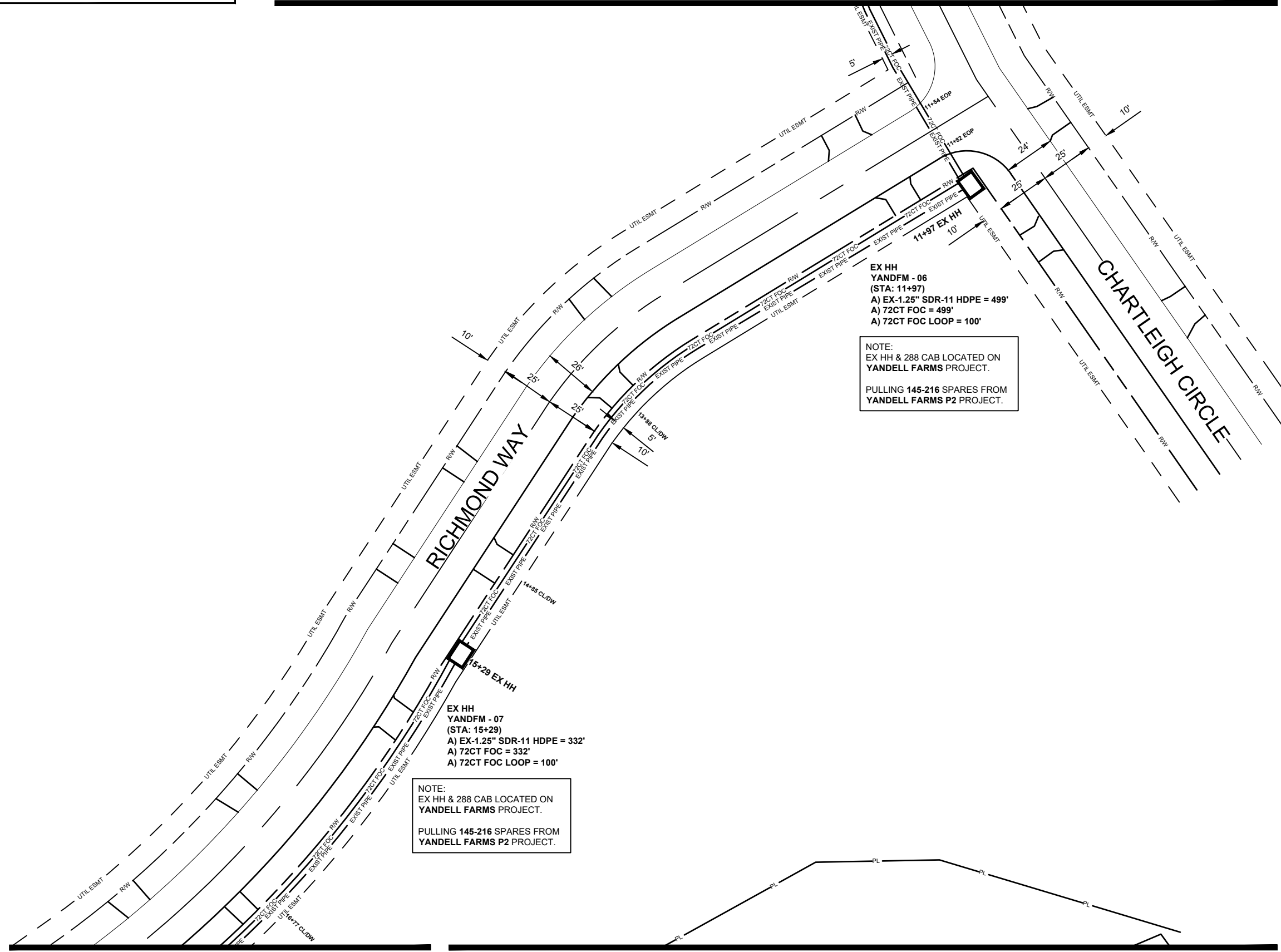
EXCEPT AS MAY BE OTHERWISE PROVIDED BY CONTRACT, THESE DRAWINGS AND SPECIFICATIONS SHALL REMAIN THE PROPERTY OF CSPIRE FIBER. BEING ISSUED IN STRICT CONFIDENCE AND SHALL NOT BE REPRODUCED, COPIED, OR USED FOR ANY PURPOSE WITHOUT SPECIFIC WRITTEN PERMISSION.

ALL CABLE WILL BE PLACED BY METHOD OF DIRECTIONAL BORE MIN 2' OFF ROW OR EASEMENT @ 42" DOC UNLESS OTHERWISE NOTED.

NOTIFY ALL UTILITIES 72 HOURS PRIOR TO CONSTRUCTION ACTIVITY.
ONE CALL SYSTEM @ 1-800-227-6477



SEE SHEET 2



**EX HH
YANDFM - 06
(STA: 11+97)**
A) EX-1.25" SDR-11 HDPE = 499'
A) 72CT FOC = 499'
A) 72CT FOC LOOP = 100'

NOTE:
EX HH & 288 CAB LOCATED ON
YANDELL FARMS PROJECT.
PULLING 145-216 SPARES FROM
YANDELL FARMS P2 PROJECT.

**EX HH
YANDFM - 07
(STA: 15+29)**
A) EX-1.25" SDR-11 HDPE = 332'
A) 72CT FOC = 332'
A) 72CT FOC LOOP = 100'

NOTE:
EX HH & 288 CAB LOCATED ON
YANDELL FARMS PROJECT.
PULLING 145-216 SPARES FROM
YANDELL FARMS P2 PROJECT.

SEE SHEET 4

SEE SHEET 10

JOB DESCRIPTION

PROJECT NAME YANDELL FARMS PHASE 3	
PROJECT CITY CANTON	
DATE	DESCRIPTION CONSTRUCTION
SHEET 003	DRAWN BY DELTA FIBER
SCALE 1"=50'	PAGE 3

MATERIALS LIST

ITEM	DESCRIPTION	QTY.
1	TRIDENT RTD 1X12	
2	TRIDENT RTD 1X12	
3	TRIDENT RTD 1X12	
4	TRIDENT RTD 1X12	
5	24 CT FOC	
6	24 CT FOC LOOP	
7	48 CT FOC	
8	48 CT FOC LOOP	
9	96 CT FOC	831
10	96 CT FOC LOOP	200
11	144 CT FOC	
12	144 CT FOC LOOP	
13	288 CT FOC	
14	288 CT FOC LOOP	
15	BDO288P LCP	
16	UH2	
17	UH3	
18	UH4	
19	UH5	
20	1-1.25" SDR11 HDPE	
21	2-1.25" SDR11 HDPE	
22	3-1.25" SDR11 HDPE	
23	4-1.25" SDR11 HDPE	
24	5-1.25" SDR11 HDPE	
25	EX-1.25" SDR11 HDPE	831
26	TYCO "B" SPLICE CASE	
27	TYCO "D" SPLICE CASE	
28	GROUND ROD	
29	SPLICES	
30	BM53FA	

REVISIONS

No.	Revision/Issue	Date

MAP NUMBER

2
3
4
10

PREPARED BY



PREPARED FOR



DISCLAIMER

EXCEPT AS MAY BE OTHERWISE PROVIDED BY CONTRACT, THESE DRAWINGS AND SPECIFICATIONS SHALL REMAIN THE PROPERTY OF CSPIRE FIBER. BEING ISSUED IN STRICT CONFIDENCE AND SHALL NOT BE REPRODUCED, COPIED, OR USED FOR ANY PURPOSE WITHOUT SPECIFIC WRITTEN PERMISSION.

ALL CABLE WILL BE PLACED BY METHOD OF DIRECTIONAL BORE MIN 2' OFF ROW OR EASEMENT @ 42" DOC UNLESS OTHERWISE NOTED.

NOTIFY ALL UTILITIES 72 HOURS PRIOR TO CONSTRUCTION ACTIVITY.
ONE CALL SYSTEM @ 1-800-227-6477



SEE SHEET 3

JOB DESCRIPTION

PROJECT NAME YANDELL FARMS PHASE 3	
PROJECT CITY CANTON	
DATE	DESCRIPTION CONSTRUCTION
SHEET 004	DRAWN BY DELTA FIBER
SCALE 1"=50'	PAGE 4

MATERIALS LIST

ITEM	DESCRIPTION	QTY.
1	TRIDENT RTD 1X12	
2	TRIDENT RTD 1X12	
3	TRIDENT RTD 1X12	
4	TRIDENT RTD 1X12	
5	24 CT FOC	
6	24 CT FOC LOOP	
7	48 CT FOC	
8	48 CT FOC LOOP	
9	72 CT FOC	384
10	72 CT FOC LOOP	50
11	144 CT FOC	
12	144 CT FOC LOOP	
13	288 CT FOC	
14	288 CT FOC LOOP	50
15	BDO288P LCP	
16	UH2	3
17	UH3	
18	UH4	
19	UH5	
20	1-1.25" SDR11 HDPE	348
21	2-1.25" SDR11 HDPE	261
22	3-1.25" SDR11 HDPE	
23	4-1.25" SDR11 HDPE	
24	5-1.25" SDR11 HDPE	
25	EX-1.25" SDR11 HDPE	384
26	TYCO "B" SPLICE CASE	
27	TYCO "D" SPLICE CASE	
28	GROUND ROD	
29	SPLICES	156
30	BM53FA	

REVISIONS

No.	Revision/Issue	Date

MAP NUMBER	
3	10
4	10
5	10

PREPARED BY



PREPARED FOR



DISCLAIMER

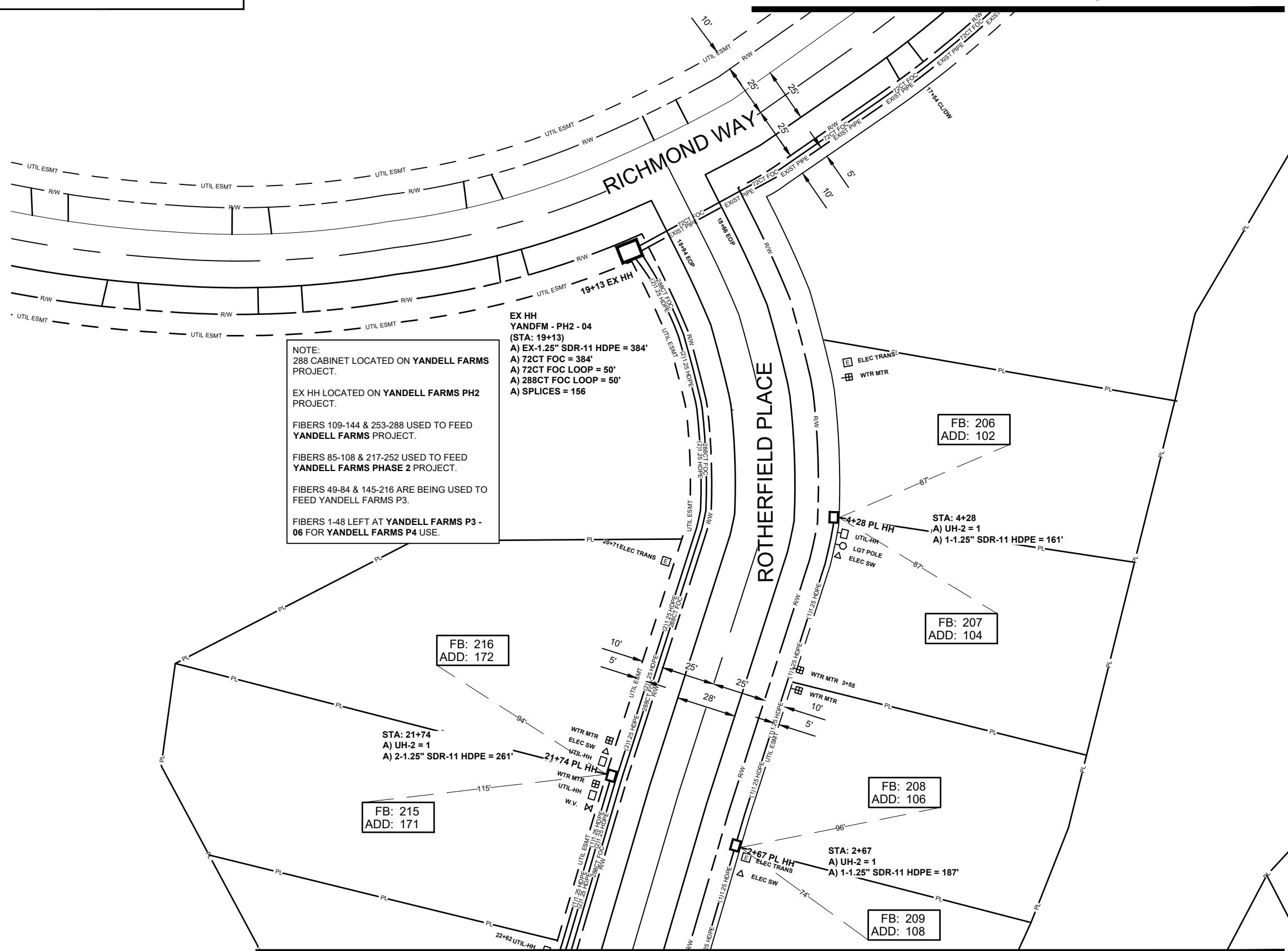
EXCEPT AS MAY BE OTHERWISE PROVIDED BY CONTRACT, THESE DRAWINGS AND SPECIFICATIONS SHALL REMAIN THE PROPERTY OF CSPIRE FIBER. NO REISSUE IN STRICT CONFIDENCE AND SHALL NOT BE REPRODUCED, COPIED, OR USED FOR ANY PURPOSE WITHOUT SPECIFIC WRITTEN PERMISSION.

SEE SHEET 10

SEE SHEET 5

ALL CABLE WILL BE PLACED BY METHOD OF DIRECTIONAL BORE MIN 2' OFF ROW OR EASEMENT @ 42" DOC UNLESS OTHERWISE NOTED.

NOTIFY ALL UTILITIES 72 HOURS PRIOR TO CONSTRUCTION ACTIVITY.
ONE CALL SYSTEM @ 1-800-227-6477





CANTON
MADISON COUNTY, MISSISSIPPI

SEE SHEET 4

SEE SHEET 10

JOB DESCRIPTION

PROJECT NAME YANDELL FARMS PHASE 3	
PROJECT CITY CANTON	
DATE	DESCRIPTION CONSTRUCTION
SHEET 005	DRAWN BY DELTA FIBER
SCALE 1"=50'	PAGE 5

MATERIALS LIST

ITEM	DESCRIPTION	QTY.
1	TRIDENT RTD 1X12	100
2	TRIDENT RTD 1X12	100
3	TRIDENT RTD 1X12	
4	TRIDENT RTD 1X12	
5	24 CT FOC	482
6	24 CT FOC LOOP	50
7	48 CT FOC	
8	48 CT FOC LOOP	
9	96 CT FOC	
10	96 CT FOC LOOP	
11	144 CT FOC	
12	144 CT FOC LOOP	
13	288 CT FOC	425
14	288 CT FOC LOOP	100
15	BDO288P LCP	
16	UH2	5
17	UH3	1
18	UH4	1
19	UH5	
20	1-1.25" SDR11 HDPE	162
21	2-1.25" SDR11 HDPE	328
22	3-1.25" SDR11 HDPE	501
23	4-1.25" SDR11 HDPE	
24	5-1.25" SDR11 HDPE	
25	6-1.25" SDR11 HDPE	
26	TYCO "B" SPLICE CASE	1
27	TYCO "D" SPLICE CASE	1
28	GROUND ROD	2
29	SPLICES	24
30	BM53FA	2

REVISIONS

No.	Revision/Issue	Date

MAP NUMBER

4	10
5	9
6	7

PREPARED BY

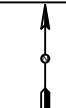


PREPARED FOR



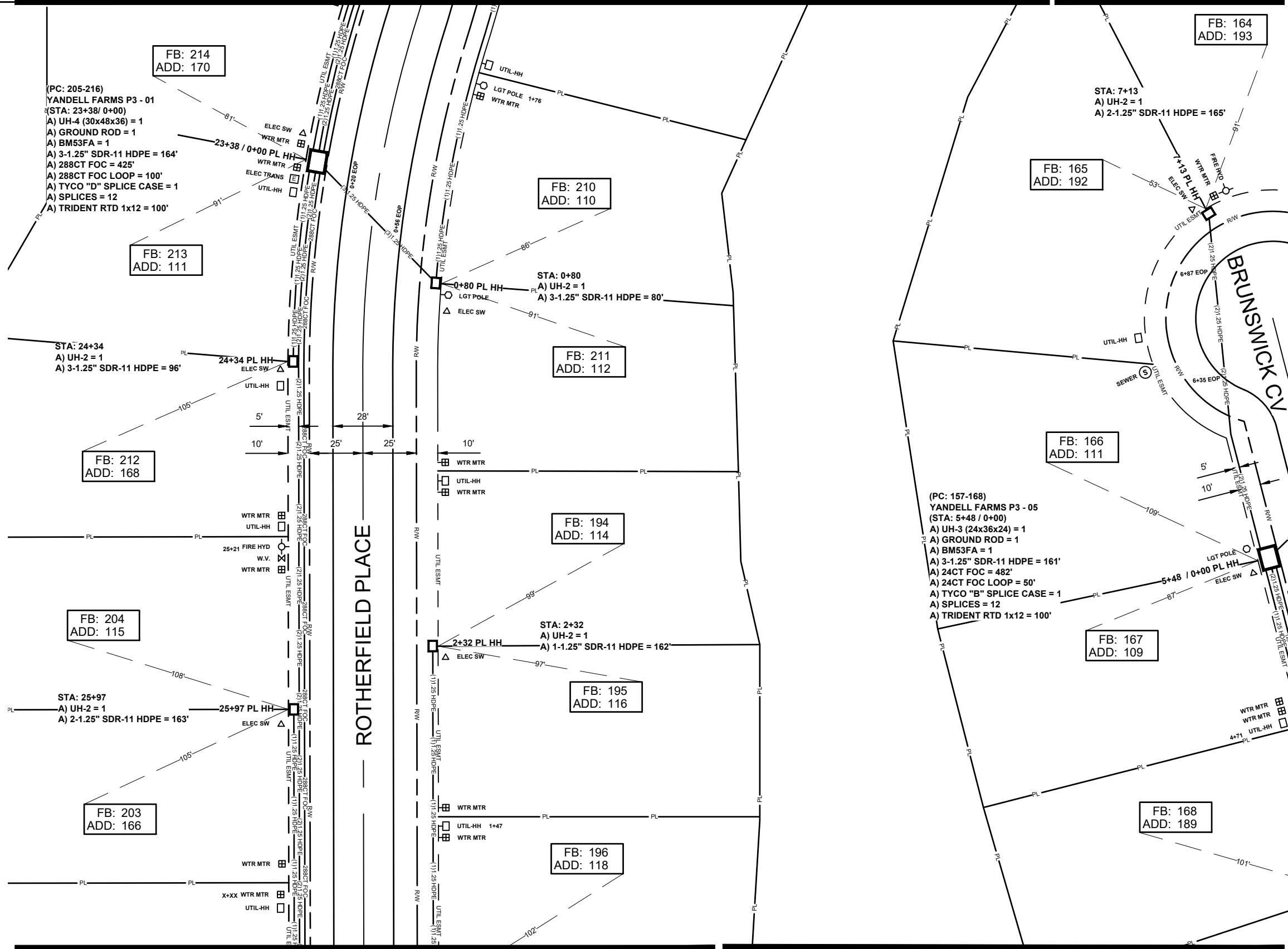
DISCLAIMER

EXCEPT AS MAY BE OTHERWISE PROVIDED BY CONTRACT, THESE DRAWINGS AND SPECIFICATIONS SHALL REMAIN THE PROPERTY OF CSPIRE FIBER. BEING ISSUED IN STRICT CONFIDENCE AND SHALL NOT BE REPRODUCED, COPIED, OR USED FOR ANY PURPOSE WITHOUT SPECIFIC WRITTEN PERMISSION.



ALL CABLE WILL BE PLACED BY METHOD OF DIRECTIONAL BORE MIN 2' OFF ROW OR EASEMENT @ 42" DOC UNLESS OTHERWISE NOTED.

NOTIFY ALL UTILITIES 72 HOURS PRIOR TO CONSTRUCTION ACTIVITY.
ONE CALL SYSTEM @ 1-800-227-6477



(PC: 205-216)
YANDELL FARMS P3 - 01
(STA: 23+38 / 0+00)
A) UH-4 (30x48x36) = 1
A) GROUND ROD = 1
A) BM53FA = 1
A) 3-1.25" SDR-11 HDPE = 164'
A) 288CT FOC = 425'
A) 288CT FOC LOOP = 100'
A) TYCO "D" SPLICE CASE = 1
A) SPLICES = 12
A) TRIDENT RTD 1x12 = 100'

STA: 24+34
A) UH-2 = 1
A) 3-1.25" SDR-11 HDPE = 96'

STA: 25+97
A) UH-2 = 1
A) 2-1.25" SDR-11 HDPE = 163'

STA: 0+80
A) UH-2 = 1
A) 3-1.25" SDR-11 HDPE = 80'

STA: 2+32
A) UH-2 = 1
A) 1-1.25" SDR-11 HDPE = 162'

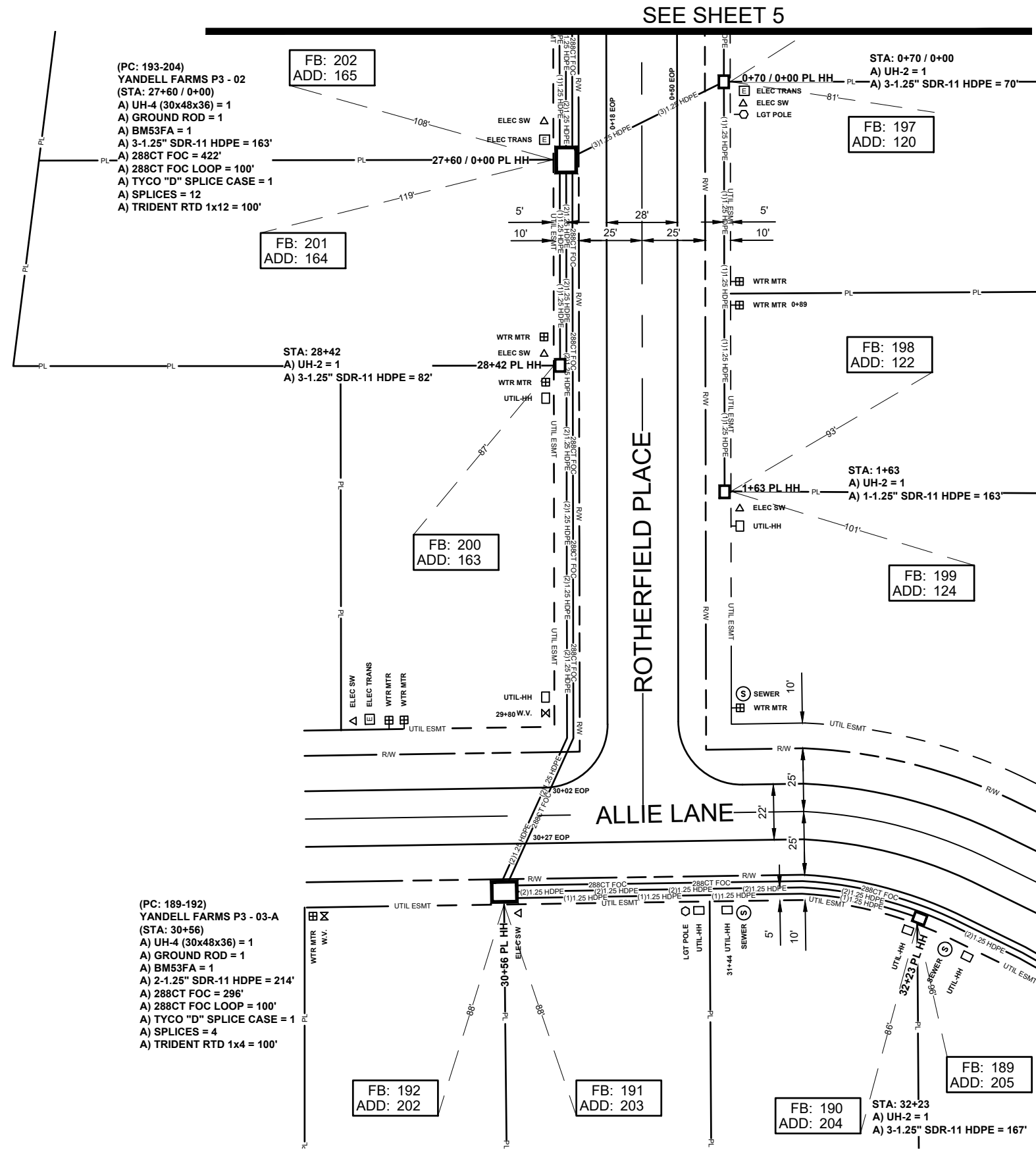
(PC: 157-168)
YANDELL FARMS P3 - 05
(STA: 5+48 / 0+00)
A) UH-3 (24x36x24) = 1
A) GROUND ROD = 1
A) BM53FA = 1
A) 3-1.25" SDR-11 HDPE = 161'
A) 24CT FOC = 482'
A) 24CT FOC LOOP = 50'
A) TYCO "B" SPLICE CASE = 1
A) SPLICES = 12
A) TRIDENT RTD 1x12 = 100'

STA: 7+13
A) UH-2 = 1
A) 2-1.25" SDR-11 HDPE = 165'

SEE SHEET 6

SEE SHEET 7

SEE SHEET 9



JOB DESCRIPTION

PROJECT NAME YANDELL FARMS PHASE 3	
PROJECT CITY CANTON	
DATE	DESCRIPTION CONSTRUCTION
SHEET 006	DRAWN BY DELTA FIBER
SCALE 1"=50'	PAGE 6

MATERIALS LIST

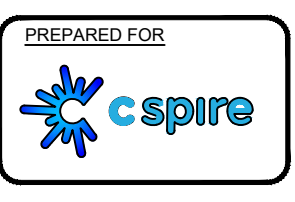
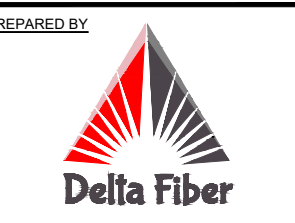
ITEM	DESCRIPTION	QTY.
1	TRIDENT RTD 1X12	100
2	TRIDENT RTD 1X4	100
3	TRIDENT RTD 1X12	
4	TRIDENT RTD 1X12	
5	24 CT FOC	
6	24 CT FOC LOOP	
7	48 CT FOC	
8	48 CT FOC LOOP	
9	96 CT FOC	
10	96 CT FOC LOOP	
11	144 CT FOC	
12	144 CT FOC LOOP	
13	288 CT FOC	718
14	288 CT FOC LOOP	200
15	BDO288P LCP	
16	UH2	4
17	UH3	
18	UH4	2
19	UH5	
20	1-1.25" SDR11 HDPE	163
21	2-1.25" SDR11 HDPE	214
22	3-1.25" SDR11 HDPE	482
23	4-1.25" SDR11 HDPE	
24	5-1.25" SDR11 HDPE	
25	6-1.25" SDR11 HDPE	
26	TYCO "B" SPLICE CASE	
27	TYCO "D" SPLICE CASE	2
28	GROUND ROD	2
29	SPLICES	16
30	BM53FA	2

REVISIONS

No.	Revision/Issue	Date

MAP NUMBER

5	6	7
---	---	---



DISCLAIMER

EXCEPT AS MAY BE OTHERWISE PROVIDED BY CONTRACT, THESE DRAWINGS AND SPECIFICATIONS SHALL REMAIN THE PROPERTY OF CSPIRE FIBER. NO REISSUE OR REVISIONS SHALL BE MADE WITHOUT THE WRITTEN PERMISSION OF CSPIRE FIBER. COPIES OR REPRODUCTIONS OF THESE DRAWINGS OR SPECIFICATIONS FOR ANY PURPOSE WITHOUT SPECIFIC WRITTEN PERMISSION ARE STRICTLY PROHIBITED.

ALL CABLE WILL BE PLACED BY METHOD OF DIRECTIONAL BORE MIN 2' OFF ROW OR EASEMENT @ 42" DOC UNLESS OTHERWISE NOTED.

NOTIFY ALL UTILITIES 72 HOURS PRIOR TO CONSTRUCTION ACTIVITY.
ONE CALL SYSTEM @ 1-800-227-6477



CANTON
MADISON COUNTY, MISSISSIPPI

SEE SHEET 5

SEE SHEET 9

JOB DESCRIPTION

PROJECT NAME YANDELL FARMS PHASE 3	
PROJECT CITY CANTON	
DATE	DESCRIPTION CONSTRUCTION
SHEET 007	DRAWN BY DELTA FIBER
SCALE 1"=50'	PAGE 7

MATERIALS LIST

ITEM	DESCRIPTION	QTY.
1	TRIDENT RTD 1X12	100
2	TRIDENT RTD 1X8	100
3	TRIDENT RTD 1X12	
4	TRIDENT RTD 1X12	
5	24 CT FOC	66
6	24 CT FOC LOOP	150
7	48 CT FOC	
8	48 CT FOC LOOP	
9	96 CT FOC	
10	96 CT FOC LOOP	
11	144 CT FOC	
12	144 CT FOC LOOP	
13	288 CT FOC	642
14	288 CT FOC LOOP	100
15	BDO288P LCP	
16	UH2	6
17	UH3	1
18	UH4	1
19	UH5	
20	1-1.25" SDR11 HDPE	307
21	2-1.25" SDR11 HDPE	542
22	3-1.25" SDR11 HDPE	495
23	4-1.25" SDR11 HDPE	
24	5-1.25" SDR11 HDPE	
25	6-1.25" SDR11 HDPE	
26	TYCO "B" SPLICE CASE	1
27	TYCO "D" SPLICE CASE	1
28	GROUND ROD	2
29	SPLICES	44
30	BM53FA	2

REVISIONS

No.	Revision/Issue	Date

MAP NUMBER

5	6	7	8	9

PREPARED BY



PREPARED FOR

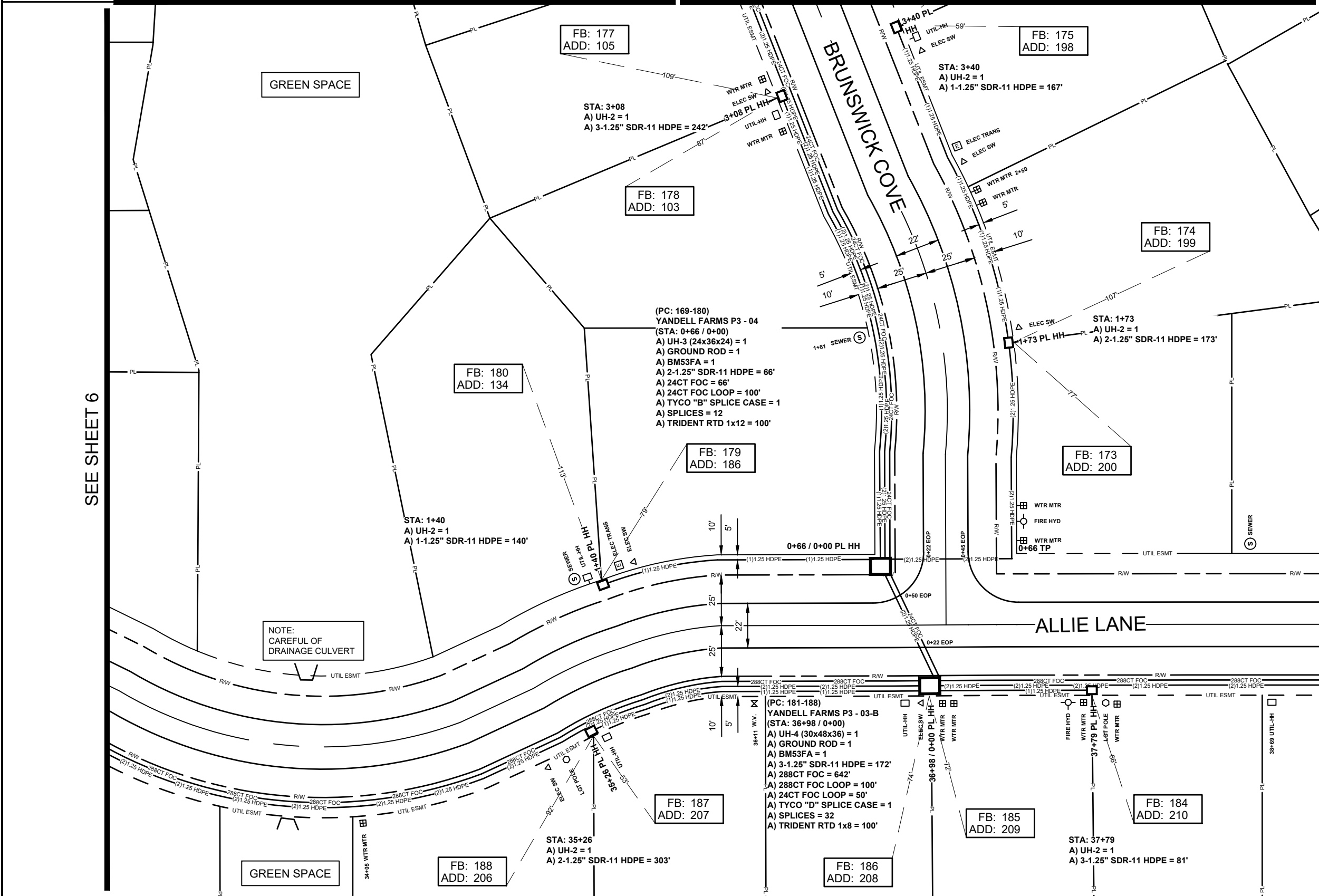


DISCLAIMER

EXCEPT AS MAY BE OTHERWISE PROVIDED BY CONTRACT THESE DRAWINGS AND SPECIFICATIONS SHALL REMAIN THE PROPERTY OF CSPIRE FIBER. NO REISSUE OR REVISIONS SHALL BE MADE WITHOUT THE WRITTEN PERMISSION OF CSPIRE FIBER. COPIES OF THESE DRAWINGS ARE NOT TO BE REPRODUCED OR USED FOR ANY PURPOSE WITHOUT SPECIFIC WRITTEN PERMISSION.

ALL CABLE WILL BE PLACED BY METHOD OF DIRECTIONAL BORE MIN 2' OFF ROW OR EASEMENT @ 42" DOC UNLESS OTHERWISE NOTED.

NOTIFY ALL UTILITIES 72 HOURS PRIOR TO CONSTRUCTION ACTIVITY.
ONE CALL SYSTEM @ 1-800-227-6477



SEE SHEET 6

SEE SHEET 8



CANTON
MADISON COUNTY, MISSISSIPPI

SEE SHEET 9

JOB DESCRIPTION

PROJECT NAME YANDELL FARMS PHASE 3	
PROJECT CITY CANTON	
DATE	DESCRIPTION CONSTRUCTION
SHEET 008	DRAWN BY DELTA FIBER
SCALE 1"=50'	PAGE 8

MATERIALS LIST

ITEM	DESCRIPTION	QTY.
1	TRIDENT RTD 1X12	100
2	TRIDENT RTD 1X12	100
3	TRIDENT RTD 1X12	
4	TRIDENT RTD 1X12	
5	24 CT FOC	
6	24 CT FOC LOOP	
7	48 CT FOC	369
8	48 CT FOC LOOP	150
9	96 CT FOC	
10	96 CT FOC LOOP	
11	144 CT FOC	
12	144 CT FOC LOOP	
13	288 CT FOC	494
14	288 CT FOC LOOP	50
15	BDO288P LCP	
16	UH2	7
17	UH3	1
18	UH4	1
19	UH5	
20	1-1.25" SDR11 HDPE	502
21	2-1.25" SDR11 HDPE	482
22	3-1.25" SDR11 HDPE	404
23	4-1.25" SDR11 HDPE	69
24	5-1.25" SDR11 HDPE	
25	6-1.25" SDR11 HDPE	
26	TYCO "B" SPLICE CASE	1
27	TYCO "D" SPLICE CASE	1
28	GROUND ROD	2
29	SPLICES	60
30	BM53FA	2

REVISIONS

No.	Revision/Issue	Date

MAP NUMBER

9	8	7
---	---	---

PREPARED BY



PREPARED FOR



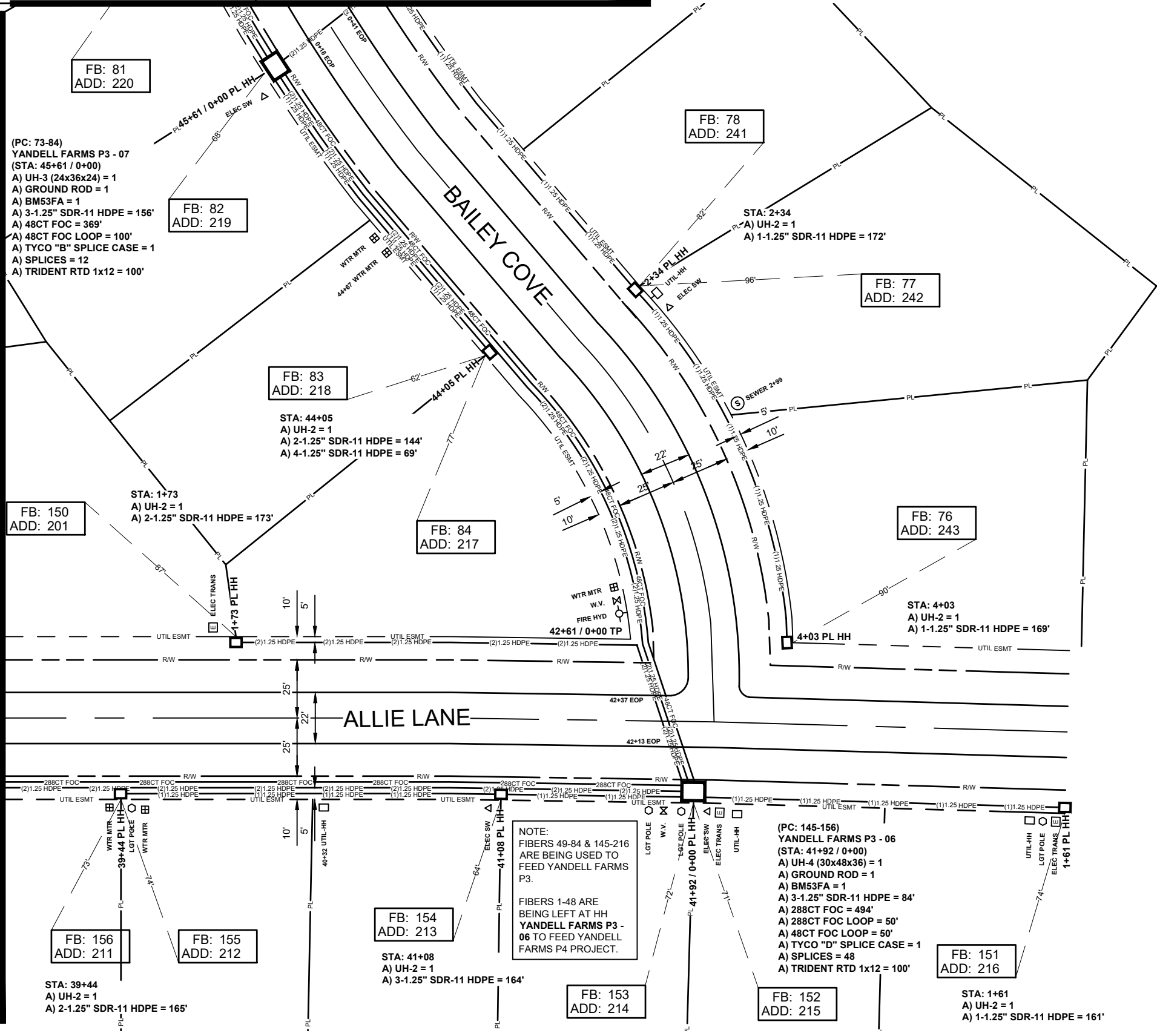
DISCLAIMER

EXCEPT AS MAY BE OTHERWISE PROVIDED BY CONTRACT, THESE DRAWINGS AND SPECIFICATIONS SHALL REMAIN THE PROPERTY OF CSPIRE FIBER. BEING ISSUED IN STRICT CONFIDENCE AND SHALL NOT BE REPRODUCED, COPIED, OR USED FOR ANY PURPOSE WITHOUT SPECIFIC WRITTEN PERMISSION.

ALL CABLE WILL BE PLACED BY METHOD OF DIRECTIONAL BORE MIN 2' OFF ROW OR EASEMENT @ 42" DOC UNLESS OTHERWISE NOTED.

NOTIFY ALL UTILITIES 72 HOURS PRIOR TO CONSTRUCTION ACTIVITY.
ONE CALL SYSTEM @ 1-800-227-6477

SEE SHEET 7

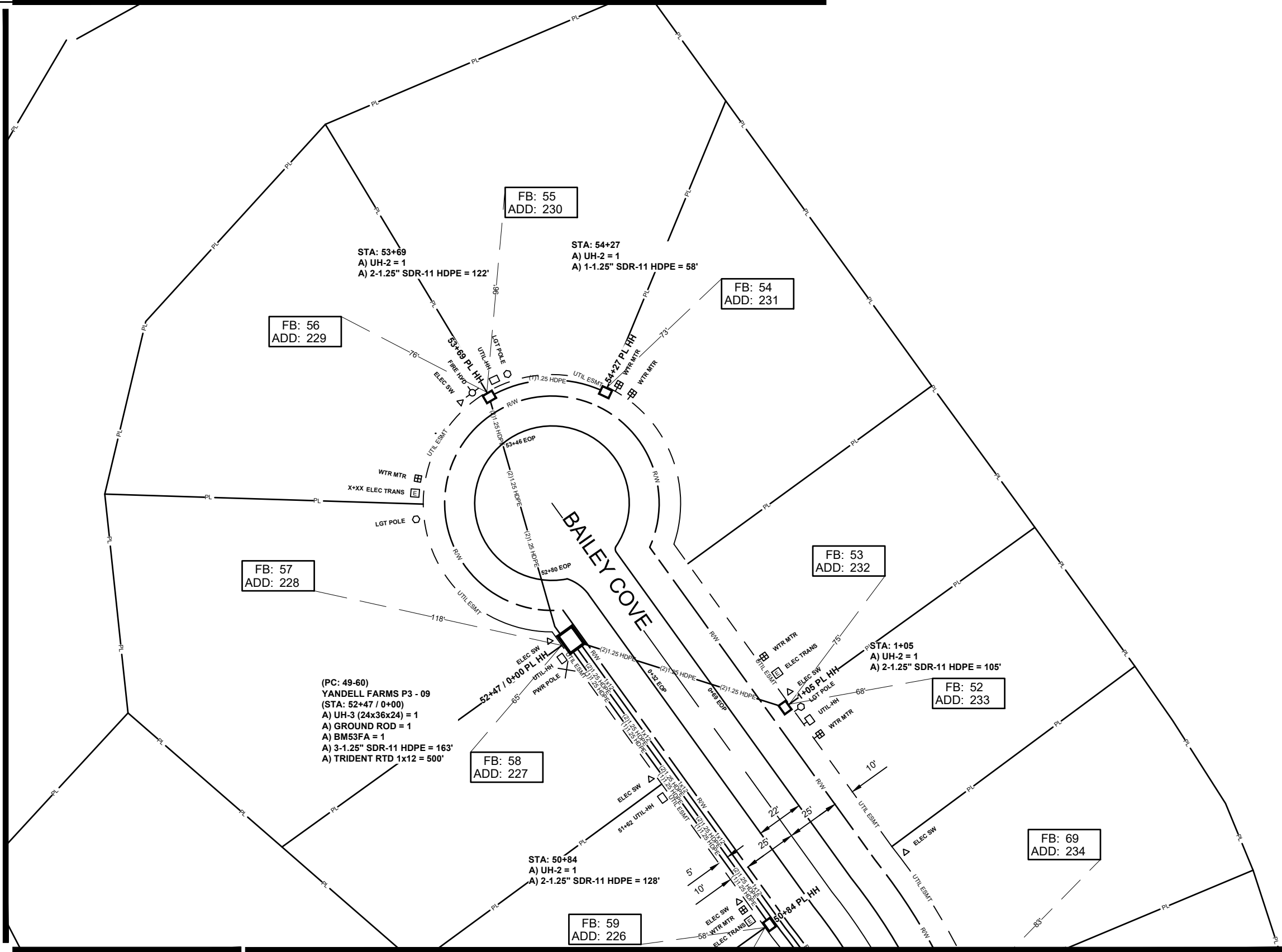




SEE SHEET 4

SEE SHEET 5

SEE SHEET 9



JOB DESCRIPTION

PROJECT NAME YANDELL FARMS PHASE 3	
PROJECT CITY CANTON	
DATE	DESCRIPTION CONSTRUCTION
SHEET 010	DRAWN BY DELTA FIBER
SCALE 1"=50'	PAGE 10

MATERIALS LIST

ITEM	DESCRIPTION	QTY.
1	TRIDENT RTD 1X12	500
2	TRIDENT RTD 1X12	
3	TRIDENT RTD 1X12	
4	TRIDENT RTD 1X12	
5	24 CT FOC	
6	24 CT FOC LOOP	
7	48 CT FOC	
8	48 CT FOC LOOP	
9	96 CT FOC	
10	96 CT FOC LOOP	
11	144 CT FOC	
12	144 CT FOC LOOP	
13	288 CT FOC	
14	288 CT FOC LOOP	
15	BDO288P LCP	
16	UH2	4
17	UH3	1
18	UH4	
19	UH5	
20	1-1.25" SDR11 HDPE	58
21	2-1.25" SDR11 HDPE	355
22	3-1.25" SDR11 HDPE	163
23	4-1.25" SDR11 HDPE	
24	5-1.25" SDR11 HDPE	
25	6-1.25" SDR11 HDPE	
26	TYCO "B" SPLICE CASE	
27	TYCO "D" SPLICE CASE	
28	GROUND ROD	1
29	SPLICES	
30	BM53FA	1

REVISIONS

No.	Revision/Issue	Date

MAP NUMBER

	3	
4	10	
5	9	

PREPARED BY



PREPARED FOR



DISCLAIMER

EXCEPT AS MAY BE OTHERWISE PROVIDED BY CONTRACT, THESE DRAWINGS AND SPECIFICATIONS SHALL REMAIN THE PROPERTY OF CSPIRE FIBER. BEING ISSUED IN STRICT CONFIDENCE AND SHALL NOT BE REPRODUCED, COPIED, OR USED FOR ANY PURPOSE WITHOUT SPECIFIC WRITTEN PERMISSION.

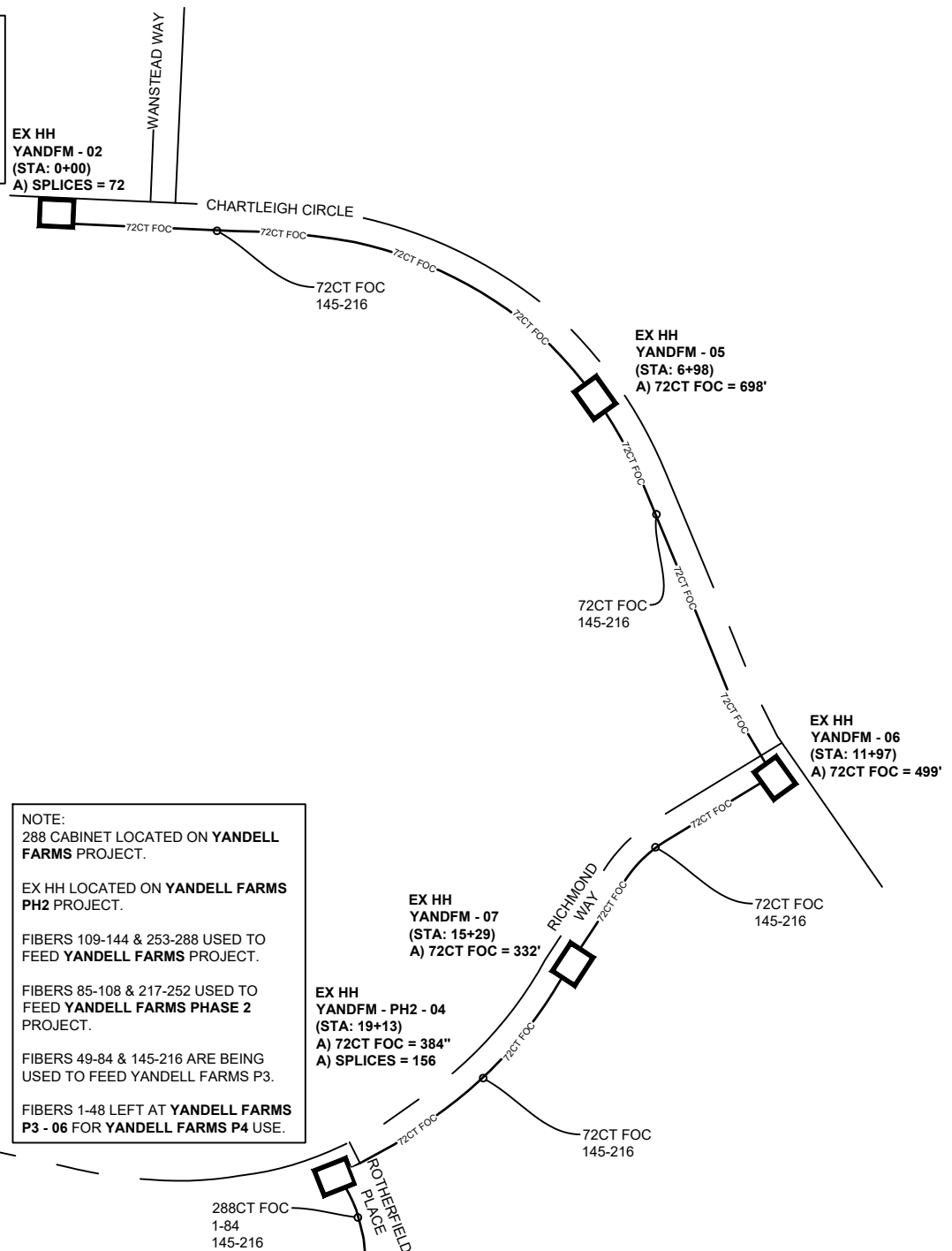
ALL CABLE WILL BE PLACED BY METHOD OF DIRECTIONAL BORE MIN 2' OFF ROW OR EASEMENT @ 42" DOC UNLESS OTHERWISE NOTED.

NOTIFY ALL UTILITIES 72 HOURS PRIOR TO CONSTRUCTION ACTIVITY.
ONE CALL SYSTEM @ 1-800-227-6477



NOTE:
EX HH & 288 CAB
LOCATED ON YANDELL
FARMS PROJECT.

FIBERS 145-216 LEFT AT
YANDFM - 02 FROM
YANDELL FARMS P2
PROJECT.



NOTE:
288 CABINET LOCATED ON YANDELL
FARMS PROJECT.

EX HH LOCATED ON YANDELL FARMS
PH2 PROJECT.

FIBERS 109-144 & 253-288 USED TO
FEED YANDELL FARMS PROJECT.

FIBERS 85-108 & 217-252 USED TO
FEED YANDELL FARMS PHASE 2
PROJECT.

FIBERS 49-84 & 145-216 ARE BEING
USED TO FEED YANDELL FARMS P3.

FIBERS 1-48 LEFT AT YANDELL FARMS
P3 - 06 FOR YANDELL FARMS P4 USE.

SEE SCHEMATIC 2

JOB DESCRIPTION

PROJECT NAME YANDELL FARMS PHASE 3	
PROJECT CITY CANTON	
DATE	DESCRIPTION CONSTRUCTION
SHEET SCHEMATIC 001	DRAWN BY DELTA FIBER
SCALE NTS	PAGE 1

MATERIALS LIST

ITEM	DESCRIPTION	QTY.
1	TRIDENT RTD 1X12	
2	TRIDENT RTD 1X12	
3	TRIDENT RTD 1X12	
4	TRIDENT RTD 1X12	
5	24 CT FOC	
6	24 CT FOC LOOP	
7	48 CT FOC	
8	48 CT FOC LOOP	
9	96 CT FOC	
10	96 CT FOC LOOP	
11	144 CT FOC	
12	144 CT FOC LOOP	
13	288 CT FOC	
14	288 CT FOC LOOP	
15	BDO288P LCP	
16	UH2	
17	UH3	
18	UH4	
19	UH5	
20	1-1.25" SDR11 HDPE	
21	2-1.25" SDR11 HDPE	
22	3-1.25" SDR11 HDPE	
23	4-1.25" SDR11 HDPE	
24	5-1.25" SDR11 HDPE	
25	6-1.25" SDR11 HDPE	
26	TYCO "B" SPLICE CASE	
27	TYCO "D" SPLICE CASE	
28	GROUND ROD	
29	SPLICES	
30	BM53FA	

REVISIONS

No.	Revision/Issue	Date

MAP NUMBER

1	2
---	---

PREPARED BY



PREPARED FOR



DISCLAIMER

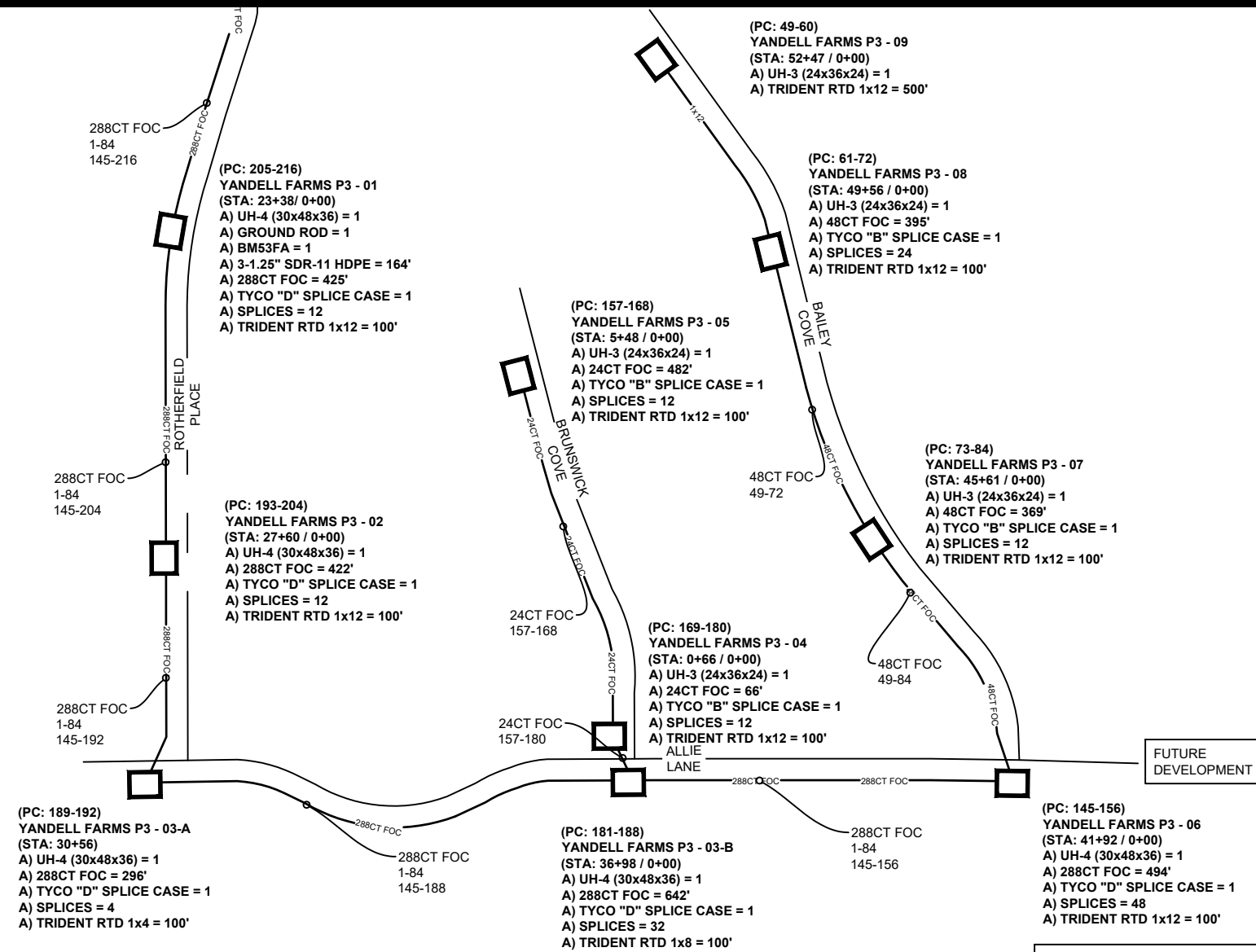
EXCEPT AS MAY BE OTHERWISE PROVIDED BY CONTRACT THESE DRAWINGS AND SPECIFICATIONS SHALL REMAIN THE PROPERTY OF CSPiRE FIBER. BEING ISSUED IN STRICT CONFIDENCE AND SHALL NOT BE REPRODUCED, COPIED, OR USED FOR ANY PURPOSE WITHOUT SPECIFIC WRITTEN PERMISSION.

ALL CABLE WILL BE PLACED BY METHOD OF DIRECTIONAL BORE MIN 2' OFF ROW OR EASEMENT @ 42" DOC UNLESS OTHERWISE NOTED.

NOTIFY ALL UTILITIES 72 HOURS PRIOR TO CONSTRUCTION ACTIVITY.
ONE CALL SYSTEM @ 1-800-227-6477



SEE SCHEMATIC 1



NOTE:
FIBERS 49-84 & 145-216 ARE BEING USED TO FEED YANDELL FARMS P3.
FIBERS 1-48 ARE BEING LEFT AT HH YANDELL FARMS P3 - 06 TO FEED YANDELL FARMS P4 PROJECT.

JOB DESCRIPTION

PROJECT NAME YANDELL FARMS PHASE 3	
PROJECT CITY CANTON	
DATE	DESCRIPTION CONSTRUCTION
SHEET SCHEMATIC 002	DRAWN BY DELTA FIBER
SCALE NTS	PAGE 2

MATERIALS LIST

ITEM	DESCRIPTION	QTY.
1	TRIDENT RTD 1X12	
2	TRIDENT RTD 1X12	
3	TRIDENT RTD 1X12	
4	TRIDENT RTD 1X12	
5	24 CT FOC	
6	24 CT FOC LOOP	
7	48 CT FOC	
8	48 CT FOC LOOP	
9	96 CT FOC	
10	96 CT FOC LOOP	
11	144 CT FOC	
12	144 CT FOC LOOP	
13	288 CT FOC	
14	288 CT FOC LOOP	
15	BDO288P LCP	
16	UH2	
17	UH3	
18	UH4	
19	UH5	
20	1-1.25" SDR11 HDPE	
21	2-1.25" SDR11 HDPE	
22	3-1.25" SDR11 HDPE	
23	4-1.25" SDR11 HDPE	
24	5-1.25" SDR11 HDPE	
25	6-1.25" SDR11 HDPE	
26	TYCO "B" SPLICE CASE	
27	TYCO "D" SPLICE CASE	
28	GROUND ROD	
29	SPLICES	
30	BM53FA	

REVISIONS

No.	Revision/Issue	Date

MAP NUMBER

1	2
---	---

PREPARED BY



PREPARED FOR



DISCLAIMER

EXCEPT AS MAY BE OTHERWISE PROVIDED BY CONTRACT, THESE DRAWINGS AND SPECIFICATIONS SHALL REMAIN THE PROPERTY OF CSPIRE FIBER. BEING ISSUED IN STRICT CONFIDENCE AND SHALL NOT BE REPRODUCED, COPIED, OR USED FOR ANY PURPOSE WITHOUT SPECIFIC WRITTEN PERMISSION.

ALL CABLE WILL BE PLACED BY METHOD OF DIRECTIONAL BORE MIN 2' OFF ROW OR EASEMENT @ 42" DOC UNLESS OTHERWISE NOTED.

NOTIFY ALL UTILITIES 72 HOURS PRIOR TO CONSTRUCTION ACTIVITY.
ONE CALL SYSTEM @ 1-800-227-6477